

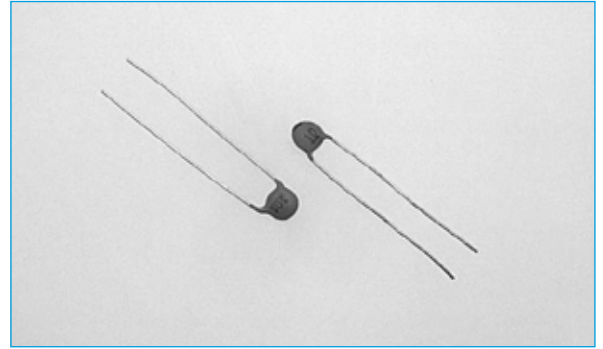
CAPACITORS

- Class 1, Class 2 and Class 3 devices
- Various pitch and lead type options
- Epoxy coating for 2KV

Our ceramic-disc range offers both close-tolerance class 1 parts, and high capacity class 2 types.

Typical applications range from precision radio and oscillator circuits, to general de-coupling.

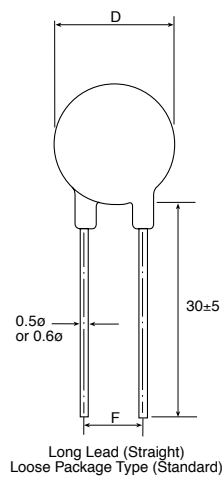
CERAMIC DISC WDC/WDK/WDF



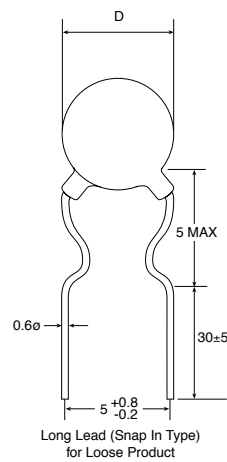
SECTION 1

OUTLINE DRAWING

**Standard Straight Leads
(no Designation) Cut Leads(M)**



Taped Snap In (R)



F IS MEASURED FROM PIN CENTRE TO PIN CENTRE

ORDERING INFORMATION

WD	C	()	1J	101	J	C	A	TA
Dubilier Identification	Class Type C = Class 1 K = Class 2 F = Class 3	Options if required otherwise leave blank See * if options are required	Rated Voltage 1E = 25V 1H = 50V 1J = 100V 2H = 500V 3A = 1KV 3D = 2KV	Rated (pF) Capacitance First 2 significant figures followed by number of zero's i.e. above = 100(pF) For capacitance below 10 (pF) a letter R is used to indicate decimal point i.e. 2R2 = 2.2 (pF)	Tolerance Code C = ±25 (pF) D = ±5 (pF) J = 5% K = 10% M = 20% Z = +80% - 20%	Temperature Coefficient Class 1 C = NPO G = S/L Class 2 B = Y5P F = Z5U V = Z5V Y = Y5V	Lead Pitch A = 2.5mm B = 5mm C = 7.5mm D = 10mm	Packing Code TA = Tape in Ammo Box TR = Tape on reel

*Note: No letter designation required for standard type long straight lead.
R = Taped with "snap in" long lead type. S = "snap-in" long lead loose package.

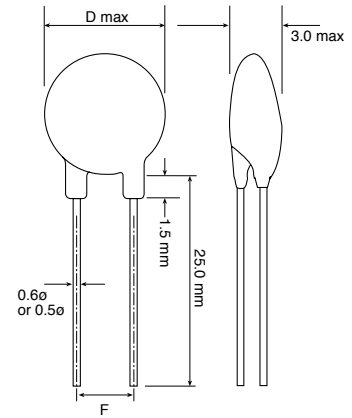
When auto-insertion is used, we recommend 'R' type.

OTHER DIELECTRICS AVAILABLE

SPECIFICATION

CERAMIC DISC CAPACITORS LOW K 100V, 500V (TYPE WDC)

Operating Temperature Range	-25°C to 85°C
Rated Voltage	100, 500 VDC
Insulation Resistance @ 25°C	10,000 MΩ min at WVDC
Temperature Coefficient	As shown in the table and curves
Lead Wire	#24 or #22 AWG tinned copper wire, Pb free
Lead Spacing Tolerance	± 0.8mm



Unit: mm

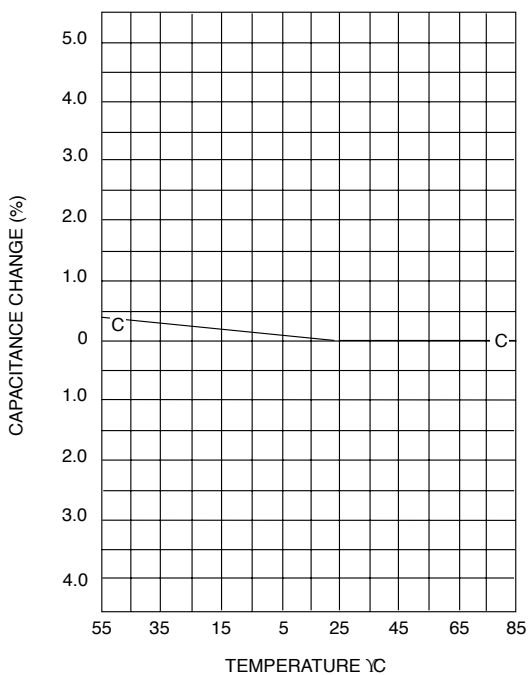
CLASS 1. CAPACITANCE TABLE (pF)

W.V.	100						500				
	Dia MAX	5.5	6.5	7.5	8.5	10.5	12.5	5.5	6.5	8.5	10.5
Available	2.5	2.5	2.5	2.5	5	5	2.5	2.5	2.5	2.5	5
Lead Spacing (F)	5	5	5	5	5	7.5	10	5	5	5	5
NPO	0.5-47	56-75	82-120	120-150	180-270	300-390	0.5-36	39-56	68-100	120-150	
SL	10-120	150-240	270-330	360-470	500-820	-	10-82	100-150	180-220	240-390	

TEMPERATURE CHARACTERISTICS

PPM/°C	T.C.	Colour	Symbol
0±60	NPO	Black	C
+350 ~ -1,000	S/L	-	G

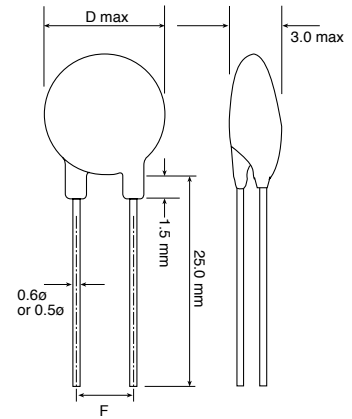
TEMPERATURE CHARACTERISTICS CURVES



SPECIFICATION

CERAMIC DISC CAPACITORS MEDIUM-HIGH K 100V, 500V (TYPE WDK)

Temperature Characteristic	As shown in the table and curves	
Minimum Capacitance Tolerance	Temp Char	Min Cap Tol
	Y5P	± 10%
	Z5U	± 20%
	Z5V	± 80-20%
Rated Voltage	100, 500 VDC	
Insulation Resistance @ 25°C	10,000 MΩ min at WVDC	
Lead Wire	#24 or #22 AWG tinned copper wire, Pb free	
Lead Spacing Tolerance	±0.8mm	



Unit: mm

CLASS 2. CAPACITANCE TABLE (pF)

W.V.	100					
Dia MAX	5.5	6.5	7.5	8.5	10	12.5
Available	2.5	2.5	2.5	2.5		
Lead Spacing (F)	5	5	5	5	5	
Y5P	100-2000	2200-2700	3000-3300	3900-4700	5600-10000	-
Z5U	2200, 3300 4700, 5000	5600-8200	10000	12000-15000	18000-22000	-
Z5V	4700, 5000, 10000	10000-20000	20000-22000	22000-33000	33000-47000	-
W.V.	500					
Available	2.5	2.5	2.5	2.5		
Lead Spacing (F)	5	5	5	5	5	10
Y5P	100-820	1000	1500, 1800, 2000	2200, 2700, 3000	3300, 3900, 4700, 5000	5600, 6800
Z5U	1500-2200	2200-3300	-	3900-6800	8200-10000	-
Z5V	-	-	-	10000	-	-

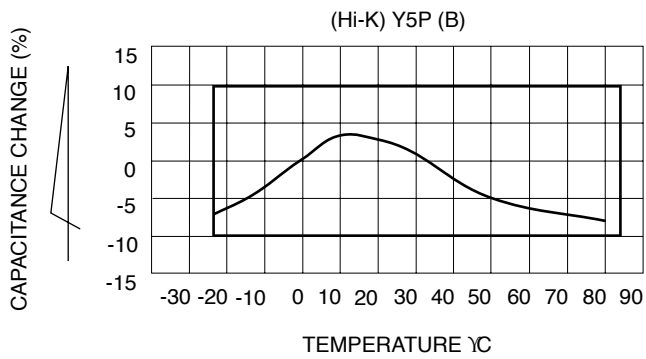
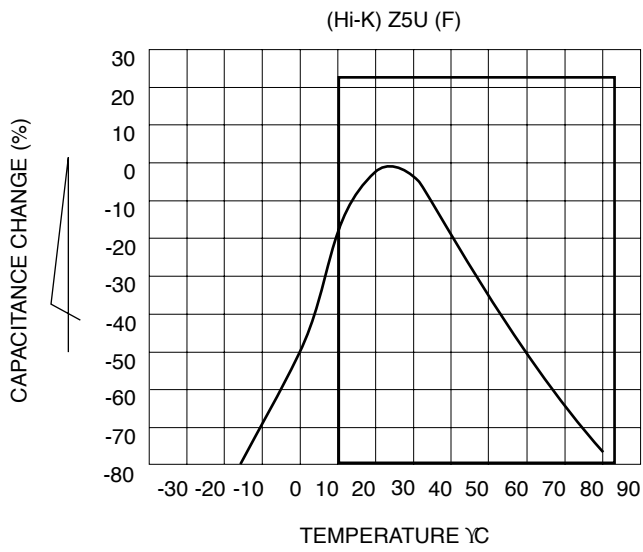
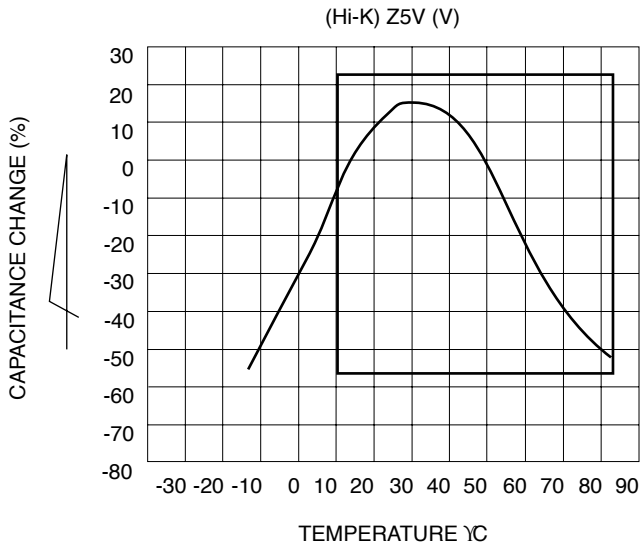
Note: Alternative lead pitches are available. Please contact our Technical Department for details.

TEMPERATURE CHARACTERISTICS

Code	Temp Range	Cap. Change	Code
B	-25°C ~ +85°C	±10%	Y5P
F	+10°C ~ +85°C	+22% ~ -56%	Z5U
V		+22% ~ -82%	Z5V

TEMPERATURE CHARACTERISTICS CURVES

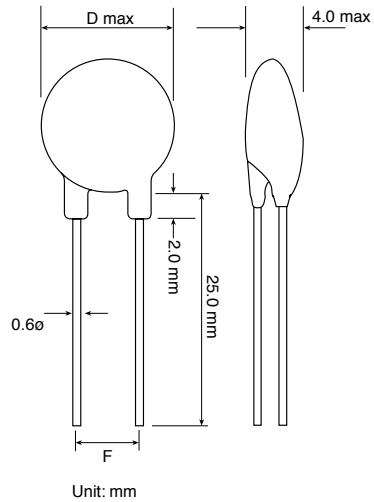
CERAMIC DISC CAPACITORS MEDIUM-HIGH K 100V, 500V (TYPE WDK)



SPECIFICATION

CERAMIC DISC CAPACITORS HIGH VOLTAGE 1KV, 2KV (WDK)

Temperature Characteristic	As shown in the table and curves	
Capacitance	Within tolerance at 1KHz and 25°C	
Minimum Capacitance Tolerance	Temp Char.	Min Cap. Tol.
	Y5P	± 10%
	Z5U	± 20%
Rated Voltage	1KV, 2KV	
Test Voltage	2 times rated voltage	
Lead Wire	#24 or #22 AWG tinned copper wire, Pb free	
Insulation	Durez coated and high vacuum impregnated	
Insulation Resistance	10,000 MΩ min	
Lead Spacing Tolerance	± 0.8mm	

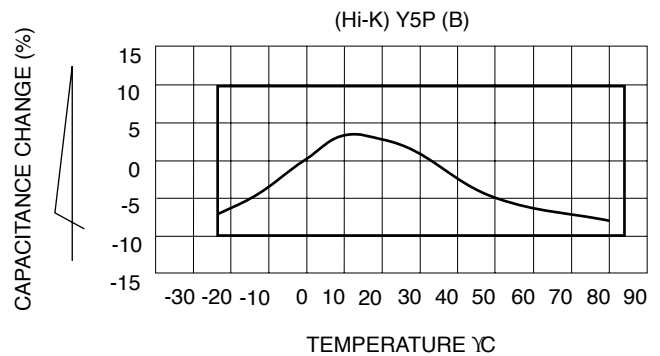
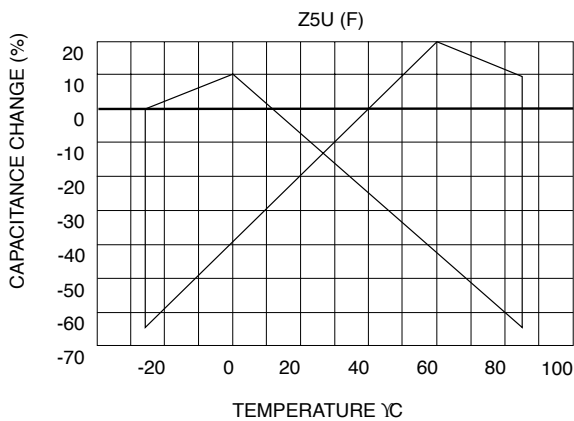


HIGH VOLTAGE CAPACITANCE TABLE

Dia MAX	Standard Lead Spacing	W.V. T.C.	1KV (3A)		2KV (3D)	
			Y5P	Z5U	Y5P	Z5U
7	5	100-1000	1000-2200	150-270	-	
9	5	1200-1800	2700-4700	330-1000	2200-3300	
11	5	2200-2700	5600-6800	1200-1800	3900-4700	
13	5	3300-4700	8200-10000	2200-2700	-	
16	10	-	-	-	10000	
MIN CAP. TOL.		±10%	±20%	±10%	±20%	

Note: Alternative lead pitches are available. Please contact our Technical Department for details.

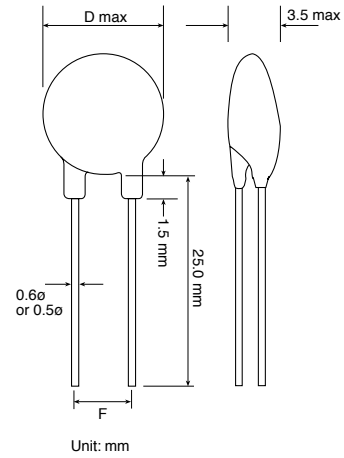
TEMPERATURE CHARACTERISTIC CURVES



SPECIFICATION

CERAMIC DISC CAPACITORS SEMICONDUCTIVE (WDF)

Operating Temperature Range	-25°C to 85°C
Minimum Capacitance Tolerance	± 20%
Rated Voltage	16, 25, 50 VDC
Test Voltage	2.5 times rated voltage for 1.5 sec.
Insulation Resistance	See table below
Temperature Characteristic	See table below
Power Factor	7% max at 1KHz
Life Test	Apply rated voltage at 85°C for 500 hours
Lead Wire	#24 or #22 AWG tinned copper wire, Pb free
Lead Spacing Tolerance	± 0.8mm



TEMPERATURE CHARACTERISTICS

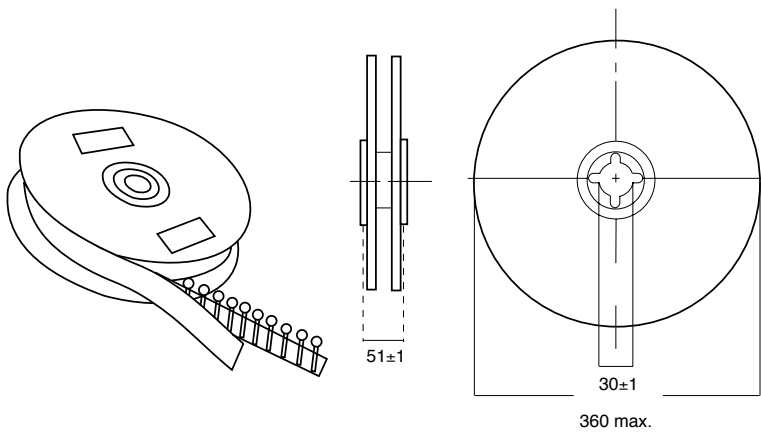
Code	Temp. Range	Cap. Change	EIA. Code
Y	-25°C ~ +85°C	+22% ~ 82%	Y5V

CLASS 3. CAPACITANCE TABLE

Dia Max	Fmm	16v - 25v
6	5	0.022
8	5	0.033 - 0.1
11	5	0.22

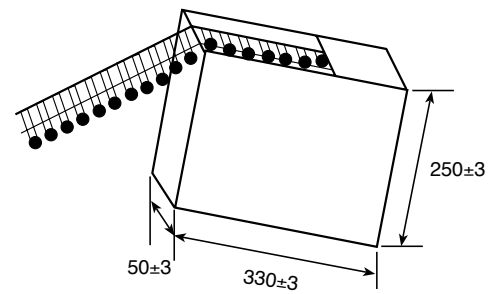
PACKAGE FORMAT & DIMENSIONS

(Reel Type if Required)



Capacitor quantity: 2,000 or 2,500 per reel.

(Box Type Standard)



Capacitor quantity: 2,000 per box.