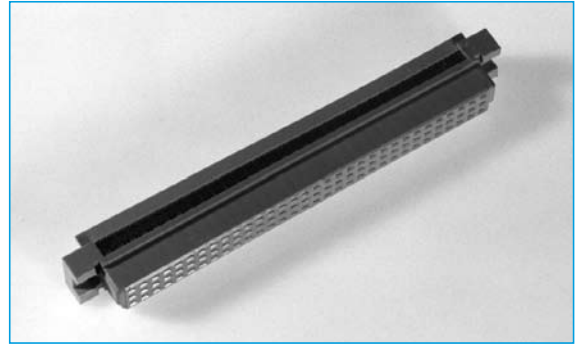


DIN 41612

IDC DIN 41612

- Industry Compatible
- Competitively Priced
- 64 way female A+C rows loaded
- Gold Plated Contacts
- Plugged Keys Available
- 2.54mm Pitch



SPECIFICATION

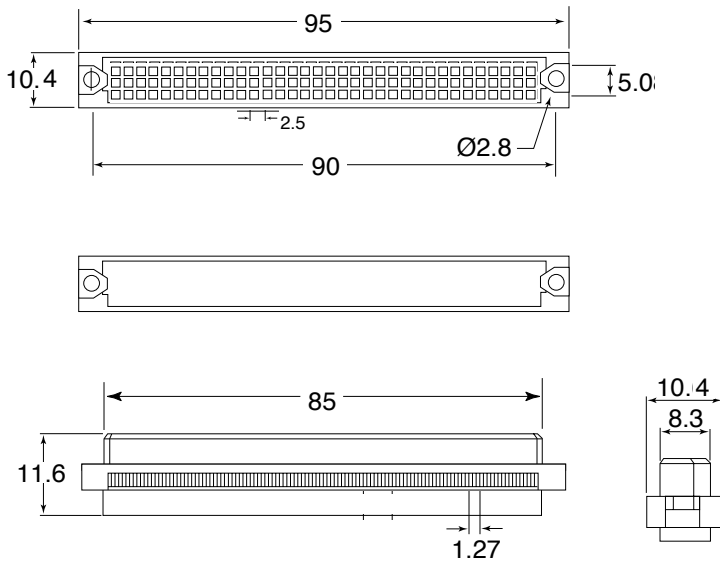
Material & Finish

Contact Material:	Phosphor Bronze
Insulator Material:	PBT & Glass-Fibre Reinforced UL-94V-0
Current Rating:	1A DC
Contact Resistance:	30M Ω Max at 6V DC 0.3A
Insulator Resistance:	1000M Ω Min at 500V DC

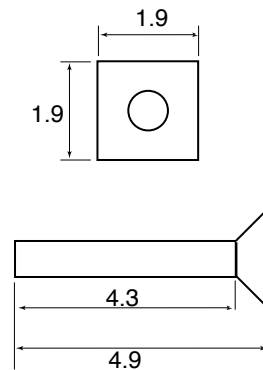
Dielectric	
Withstanding Voltage:	500V AC for One Minute
Operating Temperature:	-40°C to + 105°C

SECTION 10

OUTLINE DRAWING



PLUGGED KEY



**DBCIDC24BLK or
DBCIDC24WHT**

ORDERING INFORMATION

DBC	IDC	23	64	F	B	S	1
Dubilier Connectors	IDCDIN Connector	Series	No. of Ways	Contact Type	Contact Material	Contact Plating	Colour
			64=64way	F=Female	A=Brass B=Bronze	S=Selective Gold T=Tin G= Gold Flash	1=Black