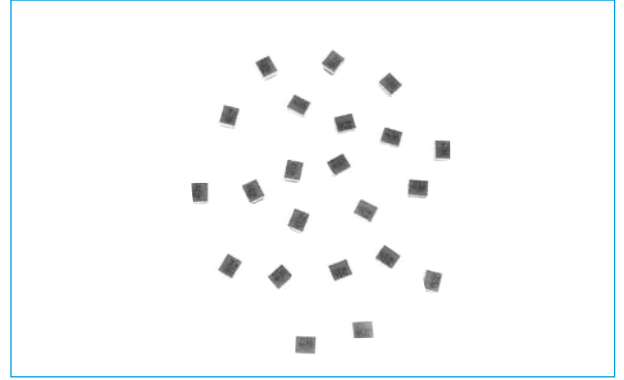


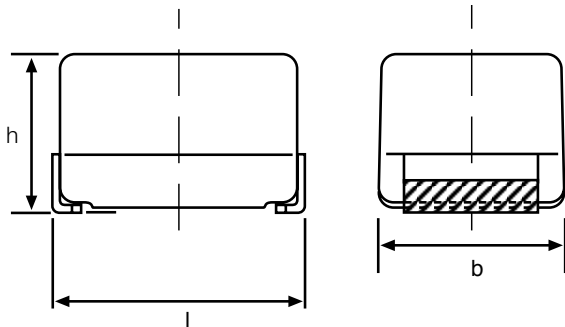
INDUCTORS

- First class electrical properties
- High packing density
- Flame retardant encapsulation
- Applications include telecoms, automotive, industrial and process control technology

SURFACE MOUNT INDUCTORS DCH

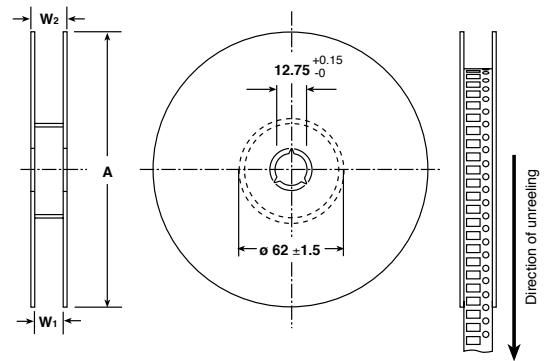


OUTLINE DRAWING



TAPING SPECIFICATION

IN ACCORDANCE WITH IEC 286-3



TAPING SPECIFICATION DIMENSIONS (MM)

Dimensions	Sizes/Types			
	0603	0805	1210	1812
mm				
A	178 ± 2.0	178 ± 2.0	178 ± 2.0	330 ± 2.0
W1	9 ± 0.3	9.2 ± 0.8	9.2 ± 0.8	13.2 ± 0.8
W2	-	14.4 max.	14.4 max.	18.4 max.
Pieces per reel	4000	3000	2000	2500

SPECIFICATION

Case Size		0603	0805	1210	1812
Dimension	h	0.8 ± 0.1	1.45max	2.1 ± 0.2	3.2 ± 0.2
	l	1.6 ± 0.1	2.20max	3.4 ± 0.2	4.5 ± 0.2
	b	0.8 ± 0.1	1.4max	2.7 ± 0.2	3.2 ± 0.2
Core Material		Ceramic	Ceramic or Ferrite	Ceramic or Ferrite	Ferrite
IEC climate category		55/125/56			
Tolerances available		±0.3nH(A) ± 5%(J)		±5%(J) ± 10%(K)	
Terminals		Lead Free Tinned	Silver Palladium	Lead Free Tinned	Lead Free Tinned
Soldering		IR, vapour phase, wave soldering			

ORDERING INFORMATION

DCH	1210	150	K
Range	Case Size*	Inductance Code	Tolerance
	0603		J = 5%
	0805		*K = 10%
	1210		
	1812*		

*Other case sizes available

RANGE & SPECIFICATION 0603

Order Code	nH	Quality Factor (min)	Q. Typical (@800MHz)	Measuring Frequency (MHz)	Rated Current (Max)	DC Resistance max (Ω)	Resonance Frequency (min) MHz
DCH06031N0*	1.0	7	60	100	1800	0.02	16000
DCH06031N5*	1.5	8	50	100	1500	0.03	13000
DCH06031N8*	1.8	12	50	100	1500	0.03	12000
DCH06032N2*	2.2	14	50	100	1500	0.03	10000
DCH06033N3*	3.3	14	40	100	1200	0.05	9000
DCH06034N7*	4.7	14	40	100	800	0.10	7000
DCH06036N8*	6.8	14	40	100	700	0.15	6000
DCH0603100*	10	14	40	100	600	0.20	5000
DCH0603150*	15	14	40	100	420	0.40	4500
DCH0603220*	22	14	40	100	380	0.50	4000
DCH0603330*	33	14	35	100	350	0.60	3000
DCH0603470*	47	14	35	100	270	0.95	2500
DCH0603680*	68	14	35	100	230	1.30	2000
DCH0603101*	100	14	30	100	200	1.80	1800
DCH0603121*	120	5	30	25.2	160	3.0	1800
DCH0603151*	150	5	30	25.2	130	5.0	1600
DCH0603181*	180	4	25	25.2	120	6.0	1400
DCH0603221*	220	4	25	25.2	110	7.0	1300

RANGE & SPECIFICATION 0805

Order Code	nH	Quality Factor (min)	Q. Typical (@800MHz)	Measuring Frequency (MHz)	Rated Current (Max)	DC Resistance max (Ω)	Resonance Frequency (min) MHz
DCH08055N6*	5.6	25	60	250	900	0.04	6000
DCH08056N8*	6.8	30	70	250	800	0.05	5500
DCH0805100*	10	40	80	250	700	0.06	4500
DCH0805120*	12	40	85	250	700	0.06	4000
DCH0805150*	15	40	85	250	670	0.07	3500
DCH0805220*	22	45	85	250	600	0.07	2600
DCH0805330*	33	45	80	250	520	0.12	2150
DCH0805470*	47	45	85	200	500	0.13	1900
DCH0805560*	56	45	60	200	480	0.14	1700
DCH0805680*	68	45	60	200	410	0.19	1550
DCH0805101*	100	40	50	150	350	0.26	1310
DCH0805121*	120	40	45	150	270	0.44	1210
DCH0805151*	150	35	40	100	270	0.44	1120
DCH0805181*	180	35	30	100	20	0.47	1030
DCH0805221*	220	35		100	240	0.55	950
DCH0805271*	270	35		100	180	1.0	870
DCH0805331*	330	35		100	180	1.0	800
DCH0805471*	470	35		100	115	2.4	660
DCH0805561*	560	35		100	100	3.2	600
DCH0805681*	680	20		25.2	250	0.50	450
DCH0805821*	820	20		25.2	240	0.55	400
DCH0805102*	1000	20		7.96	250	0.50	350
DCH0805122*	1200	20		7.96	220	0.65	300
DCH0805152*	1500	20		7.96	200	0.75	250
DCH0805182*	1800	20		7.96	190	0.85	250
DCH0805222*	2200	20		7.96	130	1.7	250
DCH0805272*	2700	20		7.96	120	2.0	200
DCH0805332*	3300	20		7.96	100	3.3	200
DCH0805392*	3900	20		7.96	95	3.6	150
DCH0805472*	4700	20		7.96	90	3.8	150

* Specify tolerance

RANGE & SPECIFICATION 1210

Order Code	μH	Quality Factor (min)	Measuring Frequency (MHz)	Rated Current (Max)	DC Resistance max (Ω)	Resonance Frequency (min) MHz
DCH1210100*	0.010	15	100	450	0.10	4000
DCH1210150*	0.015	19	100	450	0.13	3000
DCH1210220*	0.022	23	100	450	0.16	2000
DCH1210330*	0.033	25	100	450	0.18	1700
DCH1210470*	0.047	26	100	450	0.20	1300
DCH1210560*	0.056	26	100	450	0.21	1100
DCH1210680*	0.068	27	100	450	0.23	1000
DCH1210101*	0.10	28	100	450	0.31	900
DCH1210151*	0.15	30	25.2	450	0.18	700
DCH1210221*	0.22	30	25.2	450	0.20	500
DCH1210331*	0.33	30	25.2	450	0.23	500
DCH1210471*	0.47	30	25.2	450	0.30	400
DCH1210561*	0.56	30	25.2	450	0.31	300
DCH1210681*	0.68	30	25.2	450	0.34	300
DCH1210102*	1.0	30	7.96	400	0.60	300
DCH1210122*	1.2	30	7.96	390	0.70	250
DCH1210152*	1.5	30	7.96	370	0.70	200
DCH1210182*	1.8	30	7.96	350	0.80	140
DCH1210222*	2.2	30	7.96	320	0.80	100
DCH1210272*	2.7	30	7.96	290	0.90	70
DCH1210332*	3.3	30	7.96	260	1.20	60
DCH1210392*	3.9	30	7.96	250	1.30	60
DCH1210472*	4.7	30	7.96	220	1.50	50
DCH1210562*	5.6	27	7.96	200	1.60	45
DCH1210682*	6.8	27	7.96	180	1.80	40
DCH1210103*	10	27	2.52	150	2.10	30
DCH1210123*	12	27	2.52	140	2.50	25
DCH1210153*	15	27	2.52	130	2.80	20
DCH1210183*	19	27	2.52	120	3.0	20
DCH1210223*	22	27	2.52	110	3.5	20
DCH1210333*	33	27	2.52	70	5.6	17
DCH1210473*	47	27	2.52	60	7.0	15
DCH1210563*	56	27	2.52	60	8.0	12
DCH1210683*	68	27	2.52	60	9.0	9
DCH1210104*	100	20	0.796	60	11.0	8
DCH1210124*	120	20	0.796	60	12.0	8
DCH1210154*	150	20	0.796	50	17.0	7
DCH1210184*	180	20	0.796	50	18.0	7
DCH1210224*	220	20	0.796	45	22.0	6
DCH1210272*	270	20	0.796	40	28.0	5
DCH1210334*	330	20	0.796	40	34.0	4

RANGE & SPECIFICATION 1812

Order Code	μH	Quality Factor (min)	Measuring Frequency (MHz)	Rated Current (Max)	DC Resistance max (Ω)	Resonance Frequency (min) MHz
DCH1812104*	100	20	0.796	200	3.50	6.5
DCH1812224*	220	20	0.796	130	7.50	4.5
DCH1812334*	330	20	0.796	120	11.0	4.1
DCH1812474*	470	20	0.796	100	15.0	3.5
DCH18121058	1000	20	0.252	70	30.0	2.3