

**CABLE ASSEMBLIES**

- PC and Mac compatible
- Fully compatible with USB 2.0 specification
- Transfer rates 40 times faster 480mbps than USB 1.1
- Various cable lengths available

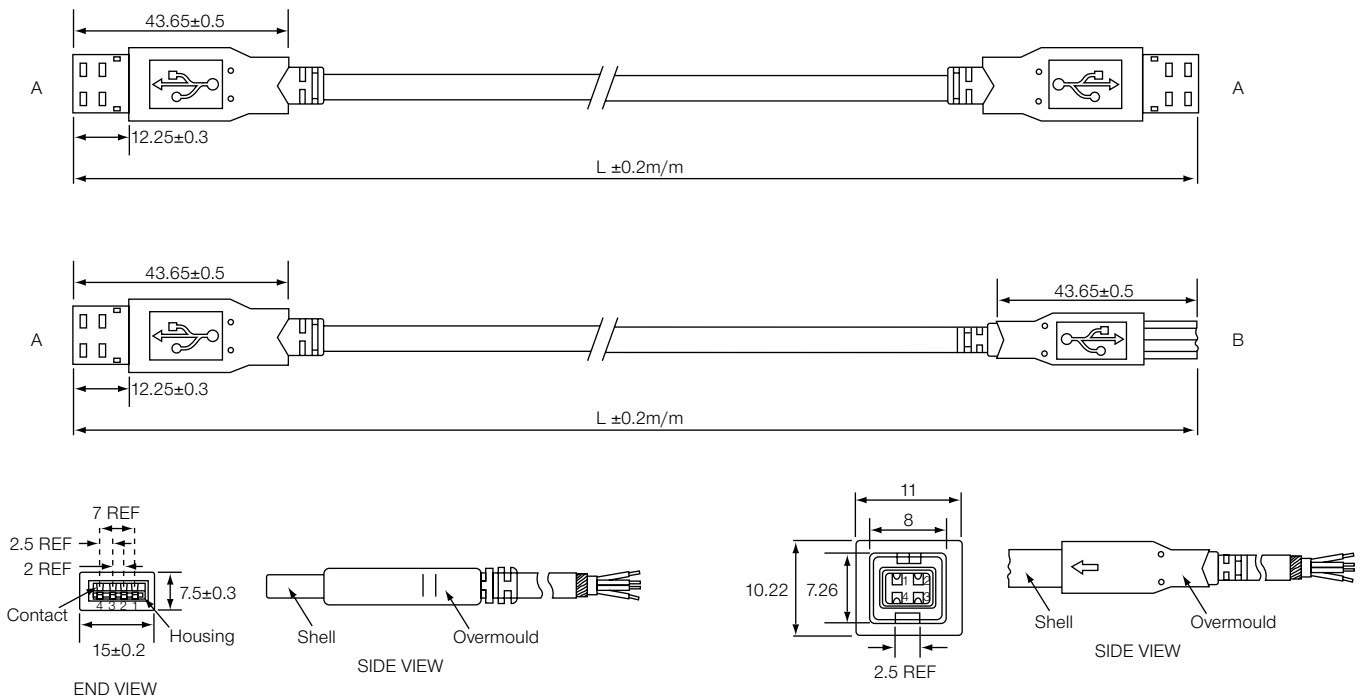
**USB 2.0 MOULDED LEADS**



**SPECIFICATION**

<b>Conductor Material:</b>	Tinned Copper
<b>Wire Gauge:</b>	Varies depending on cable length
<b>Shield Material:</b>	Tinned Copper, coverage 65% minimum
<b>Jacket Material:</b>	PVC
<b>Jacket Thickness:</b>	0.23mm min average
<b>Jacket Outer Dimension:</b>	5.20 ±0.15mm

**OUTLINE DRAWING**



**ORDERING INFORMATION**

DBC	USB2	AA	3M
Dubilier Connectors	USB	Style AA = A-A Style AB = A-B Style	Cable Length 0.5M = 0.5 metres 1M = 1 metre 1.5M = 1.5 metres 2M = 2 metres 2.5M = 2.5 metres 3M = 3 metres 4M = 4 metres 5M = 5metres

SECTION 9