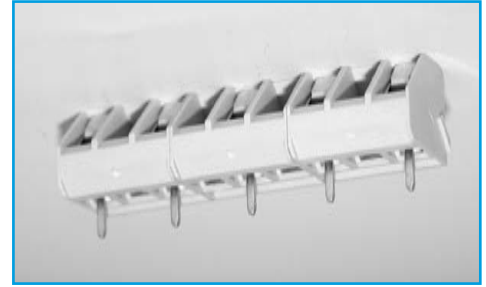




**TERMINAL BLOCKS**

**10mm PITCH 45° MOUNT**

- 10mm pitch
- Flame retardant material
- 4mm<sup>2</sup> wire acceptance
- UL/ CSA approved
- Professional rising clamp

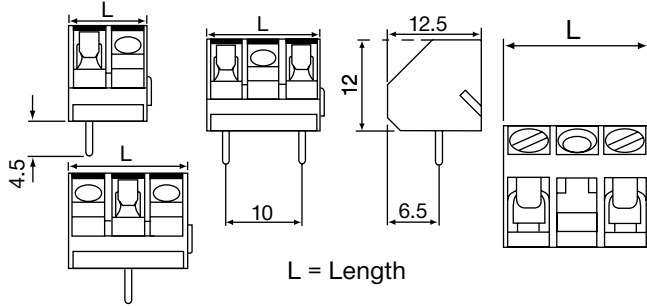


**SPECIFICATION**

**Rating:** 17.5A/750V  
**Dielectric Strength:** ≥1.25KV/60sec  
**Insulation Resistance:** ≥5MΩ  
**Working temperature:** -20°C to 125°C  
**Short Period:** 160°C  
**Moulding:** UL94V-0 flame retardant PA66  
**Pin/terminal:** 5μ tinned, nickel plated brass

**Rising clamp:** Zinc plated steel  
**Screw/torque:** M2.5 steel, 6μ zinc colour passivated and tropicalised/0.4Nm  
**Recommended PCB hole size:** ø1.3mm

**OUTLINE DRAWING**



**ORDERING INFORMATION**

DBC	TB	57	/2
Dubilier Connectors	Series Terminal Block	Style	Nº of Ways 2 = 2 ways 3 = 3 ways

**TERMINAL BLOCKS**

**10MM PITCH 18 POLE RISING CLAMP**

- 10mm pitch
- Professional rising clamp terminal
- 18 pole strip
- 4mm<sup>2</sup> wire acceptance
- UL/CE/VDE approved
- Easily cut to required number of poles



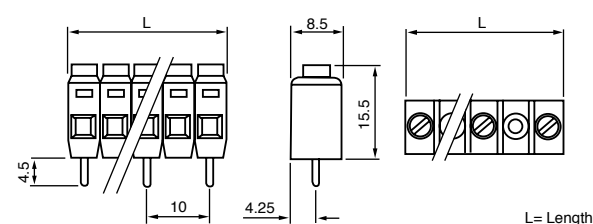
**SPECIFICATION**

**Electrical Characteristics**

**Rating Current:** 17.5A/750V  
**Dielectric Voltage:** ≥ 2.5KV/60sec  
**Insulation Resistance:** ≥ 5MΩ  
**Operating Temperature:** -20°C to +125°C  
**Short Period:** 160°C

**Moulding:** UL94-V0 flame retardant Lexan  
**Pin/terminal:** 5μ tinned, nickel plated brass  
**Rising clamp:** Zinc plated steel  
**Screw/torque:** M2.5 steel, 6μ zinc colour passivated and tropicalised/0.4Nm  
**Recommended PCB hole size:** ø1.3mm

**OUTLINE DRAWING**



**ORDERING INFORMATION**

DBC	TB	25	/2
Dubilier Connectors	Series Terminal Blocks	Style	No of Ways 2 = 2ways 3 = 3ways

\* other number of ways are available  
Please consult the office for further details

SECTION 18

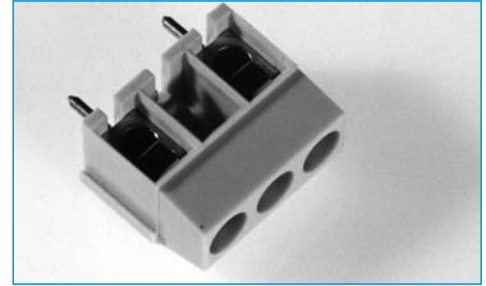
**TERMINAL BLOCKS**

- 10mm Pitch 1-12 pole
- 1 and 2 Pole interlocking
- 1 pole in 10mm and 15mm length
- Moulded in UL94V-0 Flame retardant material
- 2.5mm<sup>2</sup> wire acceptance
- Screw terminal
- UL/VDE/CE approved

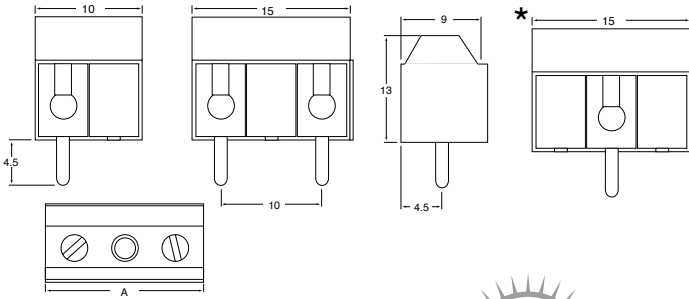
**SPECIFICATION**

**Rating:** 17.5A/380 Vac  
**Dielectric Strength:** >2.5KV  
**Insulation Resistance:** >5MΩ  
**Working temperature:** -20°C to 125°C  
**Moulding:** UL94V-0 flame retardant Lexan  
**Pin/terminal:** 5 micron tinned nickel plated brass

**Wire Protect:** Tin plated phosphor bronze  
**Screw/torque:** M3 steel/0.5Nm 7 micron zinc colour passivated and tropicalised  
**Recommended PCB hole size:** ø1.1mm



**OUTLINE DRAWING**



**ORDERING INFORMATION**

DBC	TB	11	/2	/2
Dubilier Connectors	Series Terminal Block	Style	Nº of Ways 2 = 2 ways 3 = 3 ways	Options Blank = STD *15 = 15mm Length on 1 way

\* Other Number of ways are available up to 24  
Please consult office for further details

**TERMINAL BLOCKS**



- 10mm pitch
- Flame retardant material
- Screw terminal
- 2.5mm<sup>2</sup> wire acceptance
- UL/CE/ VDE approved

**SPECIFICATION**

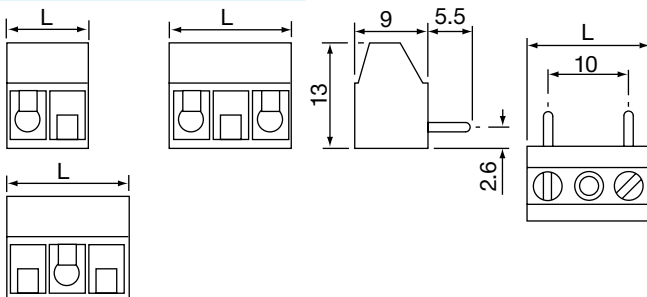
**Rating:** 17.5A/750V  
**Dielectric Strength:** ≥2.5KV/60sec  
**Insulation Resistance:** ≥5MΩ  
**Working temperature:** -20°C to 125°C  
**Moulding:** UL94V-0 flame retardant Lexan  
**Pin/terminal:** 5μ tinned, nickel plated brass  
**Wire protector:** Tin plated phosphor bronze

**Screw/torque:** M3 steel, 6 μ zinc colour passivated and tropicalised/0.5Nm  
**Recommended PCB hole size:** ø1.1mm

**10mm PITCH 90° MOUNT**



**OUTLINE DRAWING**



**ORDERING INFORMATION**

DBC	TB	48	/2
Dubilier Connectors	Series Terminal Block	Style	Nº of Ways 2 = 2 ways 3 = 3 ways



**TERMINAL BLOCKS**

**10mm PITCH PLUG IN VERTICAL OR HORIZONTAL**

- 10mm pitch
- Interlocking
- Test Probe facility
- Horizontal or vertical mounting
- 1.5mm<sup>2</sup> wire acceptance
- UL/ CSA approved

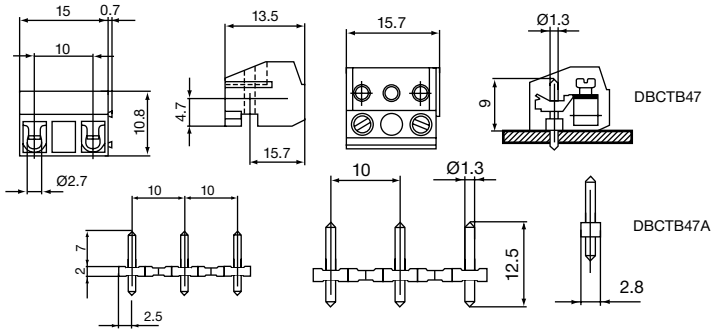


**SPECIFICATION**

**Rating:** 10A/750V  
**Dielectric Strength:** ≥2.5KV/60sec  
**Insulation Resistance:** ≥5MΩ  
**Working temperature:** -33°C to 125°C  
**Short Period:** 160°  
**Moulding:** UL94V-0 flame retardant glass filled polyester

**Pin/terminal:** 5μ tinned, copper flashed brass  
**Wire protector:** Beryllium copper  
**Screw/torque:** M2.6 steel, zinc & colour passivated and tropicalised/0.4Nm

**OUTLINE DRAWING**



**ORDERING INFORMATION**

DBC	TB	47	/2
Dubilier Connectors	Series	Style	N° of Ways
	Terminal Block	47=Style 47 47A=Style 47A	2 = 2 ways 3 = 3 ways

\* Other Number of ways are available up to 12  
Please consult office for further details