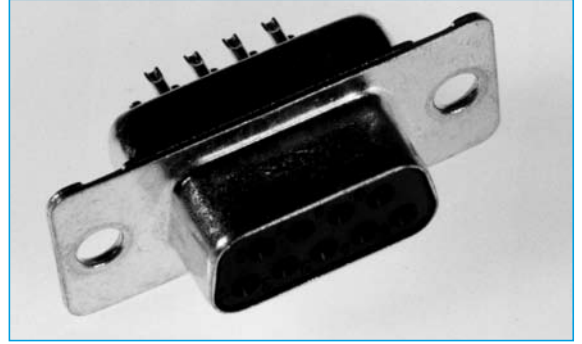


## D TYPE CONNECTORS LOW COST

- 9, 15, 25, 37 or 50 way
- Selective Gold Plated Contacts
- Tin Plated Metal Housing
- Current Rating - 5Amps
- Low cost
- Stamped & Formed Contacts

## D TYPE CONNECTORS - SOLDER BUCKET



## SPECIFICATION

### Material:

**Insulator:** PBT +30% Glass Fibre  
UL94V-0

**Pin contacts:** Phosphor Bronze  
Gold Plated

**Shell:** Steel, SPCC  
Nickel and Tin Plated

### Electrical Data:

**Rated Voltage:** 350V AC

**Rated Current:** 5A

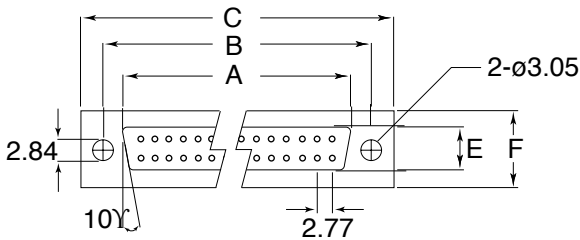
**Withstand Voltage:** 500V AC(rms)

**Insulation Resistance:** Over 1000 MΩ

**Contact Resistance:** 5 MΩ at 1A

**Temperature:** -20°C to 100°C

## OUTLINE DRAWING

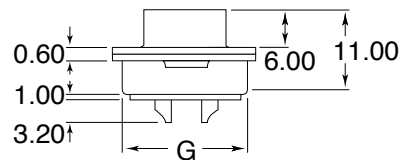
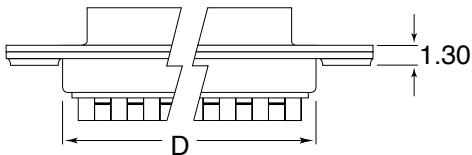


	A	B	C	D	E	F	G
9 WAY	16.90	25.00	30.80	19.30	8.40	12.50	10.70
15 WAY	25.30	33.30	39.10	27.50	8.40	12.50	10.70
25 WAY	39.00	47.00	53.00	41.30	8.40	12.50	10.70
37 WAY	55.40	63.50	69.30	57.70	8.40	12.50	10.70
50 WAY	52.80	61.10	66.90	55.30	11.10	15.40	13.60

Dimension - mm (Male)

	A	B	C	D	E	F	G
9 WAY	16.30	25.00	30.80	19.30	7.90	12.50	10.70
15 WAY	24.70	33.30	39.10	27.50	7.90	12.50	10.70
25 WAY	38.40	47.00	53.00	41.30	7.90	12.50	10.70
37 WAY	54.80	63.50	69.30	57.70	7.90	12.50	10.70
50 WAY	52.40	61.10	66.90	55.30	10.80	15.40	13.60

Dimension - mm (Female)



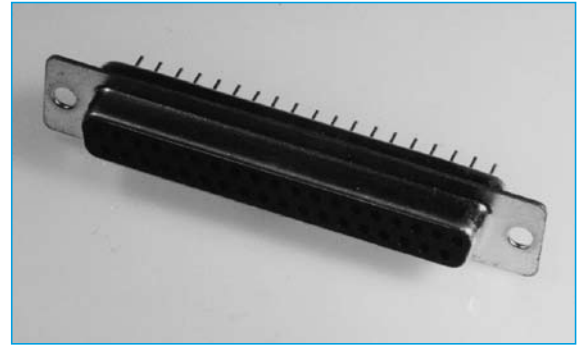
## ORDERING INFORMATION

DBC	SD	M	SB	09	S
Dubilier Connectors	Series	Contact Type	Contact Style	Nº of Ways	Contact plating
	SD = Stamped & Formed Pin D	M = Male(plug) F = Female(socket)	SB = Solder Bucket	09 = 9 ways 15 = 15 ways 25 = 25 ways 37 = 37 ways 50 = 50 ways	S = Selective Gold Plating

## D TYPE CONNECTORS LOW COST

- 9, 15, 25, 37 or 50 way
- Stamped & Formed Contact
- Selective Gold Plated Contacts
- Tin Plated Metal Housing
- Current Ratings - 5Amps
- Low Cost

## D CONNECTORS - PCB SOLDER PIN STRAIGHT



## SPECIFICATION

### Material:

**Insulator:** PBT +30% Glass Fibre  
UL94V-0

**Pin contacts:** Phosphor Bronze  
Gold Plated

**Shell:** Steel, SPCC  
Nickel and Tin Plated

### Electrical Data:

**Rated Voltage:** 350V AC

**Rated Current:** 5A

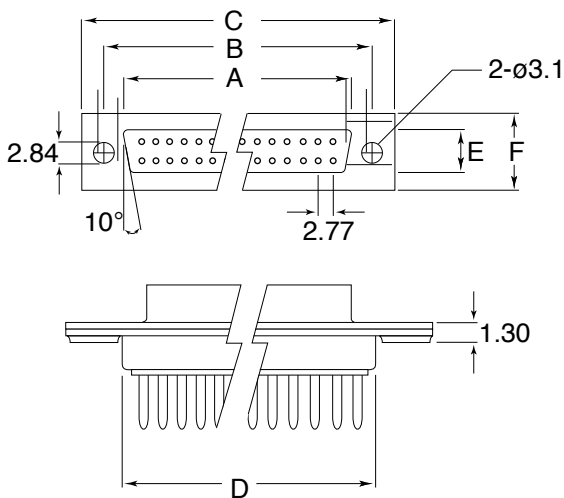
**Withstand Voltage:** 500V AC(rms)

**Insulation Resistance:** Over 1000 MΩ

**Contact Resistance:** 5 MΩ AT 1A

**Temperature:** -40°C to 100°C

## OUTLINE DRAWING

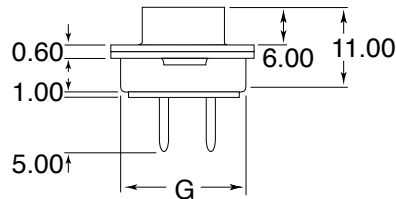


	A	B	C	D	E	F	G
9 WAY	16.90	25.00	30.80	19.30	8.10	12.50	10.70
15 WAY	25.30	33.30	39.10	27.50	8.10	12.50	10.70
25 WAY	39.00	47.00	53.00	41.30	8.10	12.50	10.70
37 WAY	55.10	63.50	69.30	57.70	8.10	12.50	10.70
50 WAY	52.80	61.10	66.90	55.30	11.10	15.40	13.60

Dimension - mm (Male)

	A	B	C	D	E	F	G
9 WAY	16.30	25.00	30.80	19.30	7.90	12.50	10.70
15 WAY	24.70	33.30	39.10	27.50	7.90	12.50	10.70
25 WAY	38.40	47.00	53.00	41.30	7.90	12.50	10.70
37 WAY	54.80	63.50	69.30	57.70	7.90	12.50	10.70
50 WAY	52.40	61.10	66.90	55.30	10.80	15.40	13.60

Dimension - mm (Female)



## ORDERING INFORMATION

DBC	SD	M	SS	09	S
Dubilier Connectors	Series	Contact Type	Contact Style	N° of Ways	Contact plating
	SD = Stamped & Formed Pin D	M = Male(plug) F = Female(socket)	SS = Solder Straight	09 = 9 ways 15 = 15 ways 25 = 25 ways 37 = 37 ways 50 = 50 ways	S = Selective Gold Plating

## D TYPE CONNECTORS LOW COST

- 9, 15, 25, 37 way
- Stamped & Formed Contacts
- Gold Plated Contacts
- Tin Plated Metal Housing
- Current Rating - 5Amps
- Low cost
- Complete with Board and Screw Locks

## PCB SOLDER PIN RIGHT ANGLE - US SHORT FOOTPRINT



## SPECIFICATION

### Material:

**Insulator:** PBT +30% Glass Fibre  
UL94V-0

**Pin contacts:** Phosphor Bronze  
Gold Plated

**Shell:** Steel, SPCC  
Nickel and Tin Plated

### Electrical Data:

**Rated Voltage:** 350V AC

**Rated Current:** 5A

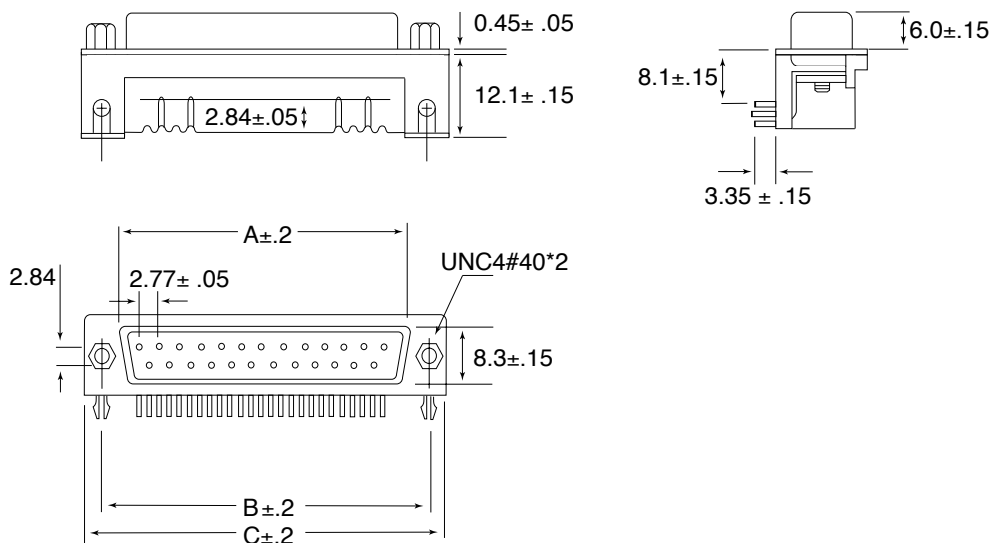
**Withstand Voltage:** 500V AC(rms)

**Insulation Resistance:** Over 1000 MΩ

**Contact Resistance:** 5 MΩ at 1A

**Temperature:** -20°C to 100°C

## OUTLINE DRAWING



	A	B	C
9 WAY	16.92	25.00	30.80
15 WAY	25.25	33.30	39.20
25 WAY	38.96	47.10	53.10
37 WAY	55.42	63.50	69.40

Dimension - mm (Male)

	A	B	C
9 WAY	16.30	25.00	30.80
15 WAY	24.60	33.30	39.20
25 WAY	38.30	47.10	53.10
37 WAY	54.80	63.50	69.40

Dimension - mm (Female)

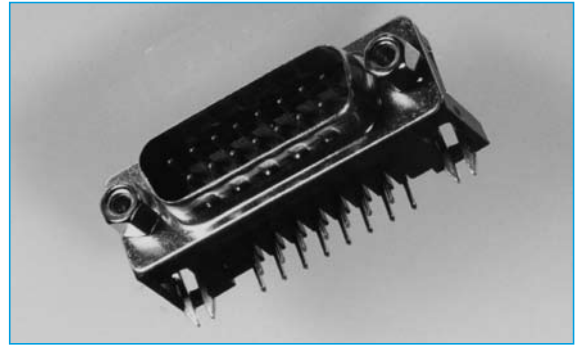
## ORDERING INFORMATION

DBC	SD	M	SR1	09	G	XX
Dubilier Connectors	Series	Contact Type	Contact Style	N° of Ways	Contact plating	Options
	SD = Stamped & Formed Pin D	M = Male(plug) F = Female(socket)	SR1 = Solder Right Angled PCB (8.1mm) US Short Footprint	09 = 9 ways 15 = 15 ways 25 = 25 ways 37 = 37 ways	G = Gold Plated	Blank = Board+Screw Locks A= Board Locks only

## D TYPE CONNECTORS LOW COST

- 9, 15, 25, 37 way
- Stamped & Formed Contacts
- Gold Plated Contacts
- Tin Plated Metal Housing
- Current Rating - 5Amps
- Low cost
- Complete with Board and Screw Locks

## PCB SOLDER PIN RIGHT ANGLE - EUROPEAN FOOTPRINT



## SPECIFICATION

### Material:

**Insulator:** PBT +30% Glass Fibre  
UL94V-0

**Pin contacts:** Phosphor Bronze  
Gold Plated

**Shell:** Steel, SPCC  
Nickel and Tin Plated

### Electrical Data:

**Rated Voltage:** 350V AC

**Rated Current:** 5A

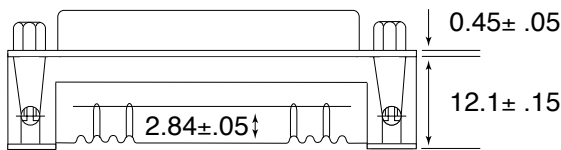
**Withstand Voltage:** 500V AC(rms)

**Insulation Resistance:** Over 1000 MΩ

**Contact Resistance:** 5 MΩ at 1A

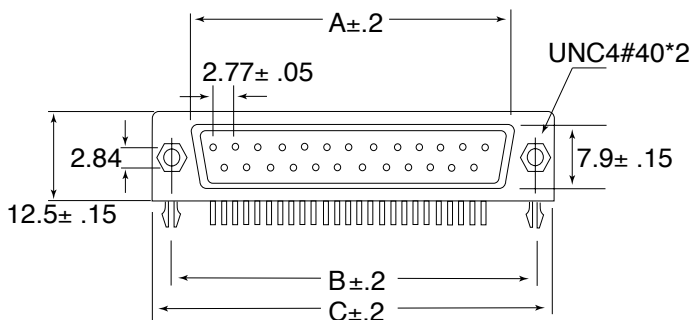
**Temperature:** -20°C to 100°C

## OUTLINE DRAWING



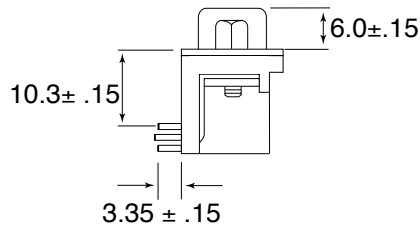
	A	B	C
9 WAY	16.92	25.00	30.80
15 WAY	25.25	33.3	39.20
25 WAY	38.96	47.10	53.10
37 WAY	55.42	63.50	69.40

Dimension - mm (Male)



	A	B	C
9 WAY	16.30	25.00	30.80
15 WAY	24.60	33.30	39.20
25 WAY	38.30	47.10	53.10
37 WAY	54.80	63.50	69.40

Dimension - mm (Female)



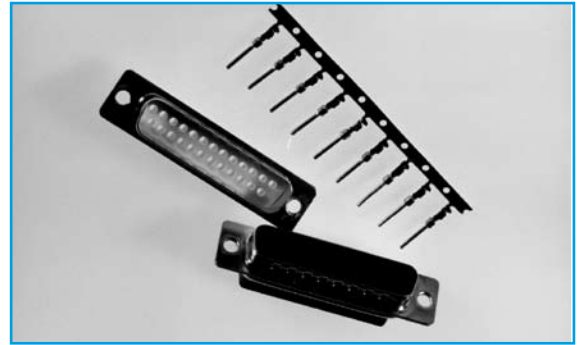
## ORDERING INFORMATION

DBC	SD	M	SR2	09	G	XX
Dubilier Connectors	Series	Contact Type	Contact Style	N° of Ways	Contact plating	Options
	SD = Stamped & Formed Pin D	M = Male(plug) F = Female(socket)	SR2 = Solder Right Angled PCB (10.3mm) European Footprint	09 = 9 ways 15 = 15 ways 25 = 25 ways 37 = 37 ways	G = Gold Plated	Blank = Board+Screw Locks A= Board Locks only

## D TYPE CONNECTORS LOW COST

- 9, 15, 25, 37 or 50 way
- Selective Gold Plated Contacts (sold separately)
- Stamped & Formed Contacts
- Tin Plated Metal Housing
- Current Rating - 5Amps
- Low cost

## D CONNECTORS - CRIMP PIN



## SPECIFICATION

### Material:

**Insulator:** PBT +30% Glass Fibre  
UL94V-0

**Pin contacts:** Phosphor Bronze  
Gold Plated

**Shell:** Steel, SPCC  
Nickel and Tin Plated

### Electrical Data:

**Rated Voltage:** 350V AC

**Rated Current:** 5A

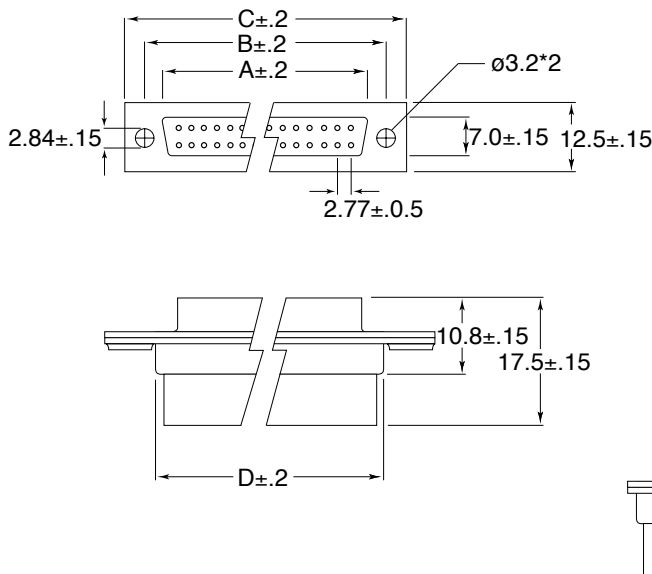
**Withstand Voltage:** 500V AC(rms)

**Insulation Resistance:** Over 1000 MΩ

**Contact Resistance:** 5 MΩ at 1A

**Temperature:** -20°C to 100°C

## OUTLINE DRAWING

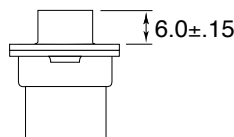


	A	B	C	D
9 WAY	16.92	25.00	30.80	19.20
15 WAY	25.25	33.30	39.20	27.70
25 WAY	38.96	47.10	53.10	41.10
37 WAY	55.42	63.50	69.40	57.30
50 WAY	52.81	61.00	67.00	55.10

Dimension - mm (Male)

	A	B	C	D
9 WAY	16.30	25.00	30.80	19.20
15 WAY	24.60	33.30	39.20	27.70
25 WAY	38.30	47.10	53.10	41.10
37 WAY	54.80	63.50	69.40	57.30
50 WAY	52.20	61.00	67.00	55.10

Dimension - mm (Female)



## ORDERING INFORMATION

### Housing

### Contacts

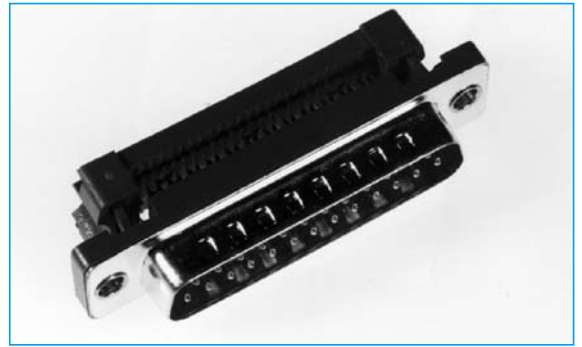
DBC	CD	M	09
Dubilier Connectors	Series	Contact Type	N° of Ways
	Crimp Contact Housing	M = Male(plug) F = Female(socket)	09 = 9 ways 15 = 15 ways 25 = 25 ways 37 = 37 ways 50 = 50 ways

DBC	CD	M	PIN	XX	XX
Dubilier Connectors	Series	Contact Type	Pin	Options	Options
	Crimp Contact	M = Male(plug) F = Female(socket)		Blank = Taped & Reeled A= Loose	Blank = 28/24 AWG 1= 24/20 AWG

## D TYPE CONNECTORS LOW COST

- 9, 15, 25, or 37 way
- Selective Gold Plated Contacts
- Metal or Plastic Housing
- Current Rating - 5Amps
- Complete with Strain Relief
- Through Hole or Threaded Insert (4 - 40 UNC)
- Low cost

## D CONNECTORS - IDC



## SPECIFICATION

### Material:

**Insulator:** PBT +30% Glass Fibre  
UL94V-0

**Pin contacts:** Phosphor Bronze  
Gold Plated

**Shell:** Steel, SPCC  
Nickel and Tin Plated

### Electrical Data:

**Rated Voltage:** 350V AC

**Rated Current:** 5A

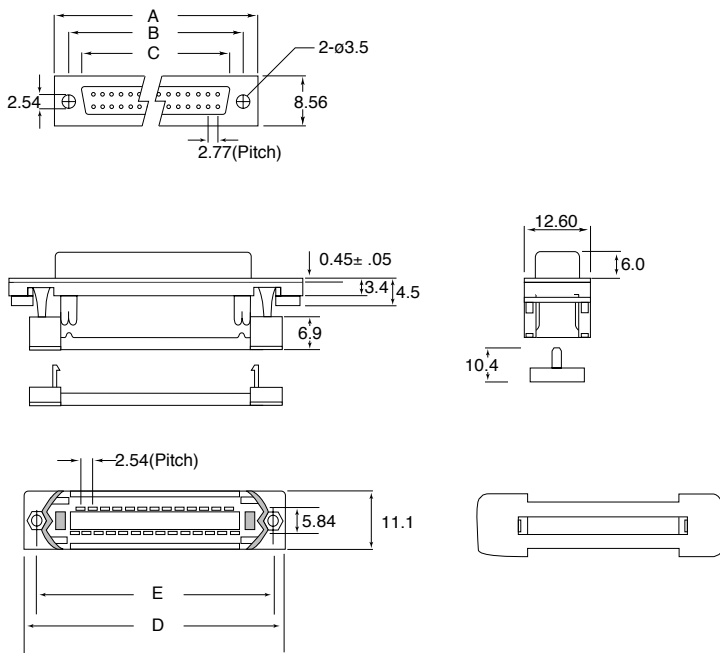
**Withstand Voltage:** 500V AC(rms)

**Insulation Resistance:** Over 1000 MΩ

**Contact Resistance:** 5 MΩ at 1A

**Temperature:** -20°C to 100°C

## OUTLINE DRAWING



	A	B	C	D	E
9 WAY	30.81	25.00	16.30	22.50	12.16
15 WAY	39.14	33.32	24.60	30.80	19.80
25 WAY	53.04	47.04	38.30	44.50	32.50
37 WAY	69.32	63.50	54.80	61.20	47.70

Dimension - mm (Male)

	A	B	C	D	E
9 WAY	30.81	25.00	16.92	22.50	12.16
15 WAY	39.14	33.32	25.25	30.80	19.80
25 WAY	53.04	47.04	38.96	44.50	32.50
37 WAY	69.32	63.50	55.42	61.20	47.70

Dimension - mm (Female)

## ORDERING INFORMATION

DBC	IDCD	M	09	S	A	1	P
Dubilier Connectors	Series IDCD	Contact Type M = Male(plug) F = Female(socket)	Nº of Ways 09 = 9 ways 15 = 15 ways 25 = 25 ways 37 = 37 ways	Contact plating S = Selective Gold Plating	Mounting Style A = Through Hole B = Threaded Insert 4-4UNC	Colour 1 = Black 2 = Grey	Colour P = Plastic Blank = Metal