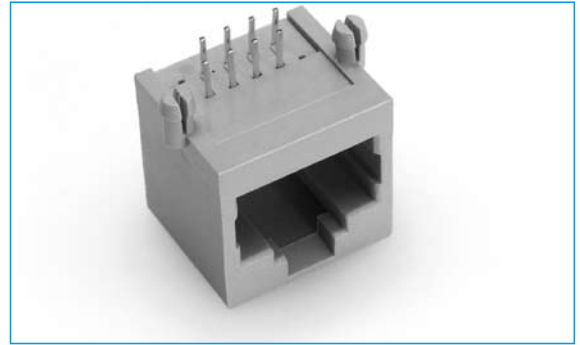


**NETWORKING SOCKETS**

**LOW PROFILE SIDE ENTRY PCB JACK**

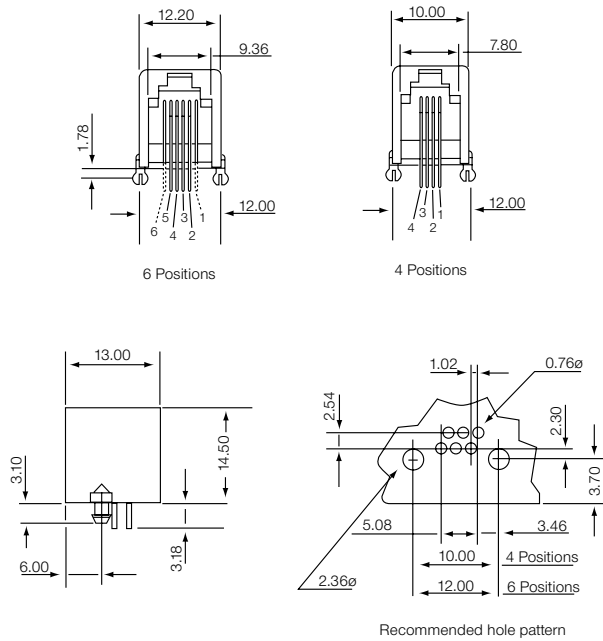
- 4 - 10 way available
- Board Solderable
- Competitively priced



**SPECIFICATION**

<b>Current Rating</b>	3A
<b>Contact Resistance</b>	30mΩ max at DC 100mA
<b>Dielectric withstanding Voltage</b>	AC 500V for 1 minute
<b>Insulation Resistance</b>	1000mΩ min at DC 500V
<b>Plating</b>	Selective gold plating over Nickel Tin plate on solder foils
<b>Housing</b>	UL94V0 Standard
<b>Colour</b>	Grey
<b>Contact</b>	0.35mm Phosphor Bronze
<b>Operating Temperature</b>	-55°C to +105°C

**OUTLINE DRAWING**



**ORDERING INFORMATION**

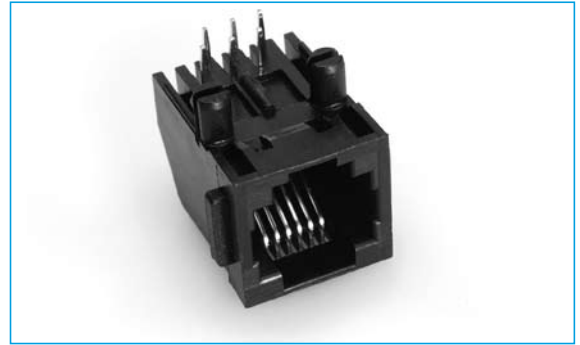
<b>DBC</b>	<b>RJ</b>	<b>S</b>	<b>44</b>	<b>D</b>
Dubilier Connectors	Series	Contact Type S = Socket	No. of Ways x No. of loaded contacts 4 x 4 6 x 6 8 x 8 10 x 10	Style D = Low Profile Side Entry PCB Jack

SECTION 16

## NETWORKING SOCKETS

## LOW PROFILE SIDE ENTRY PCB JACK (A)

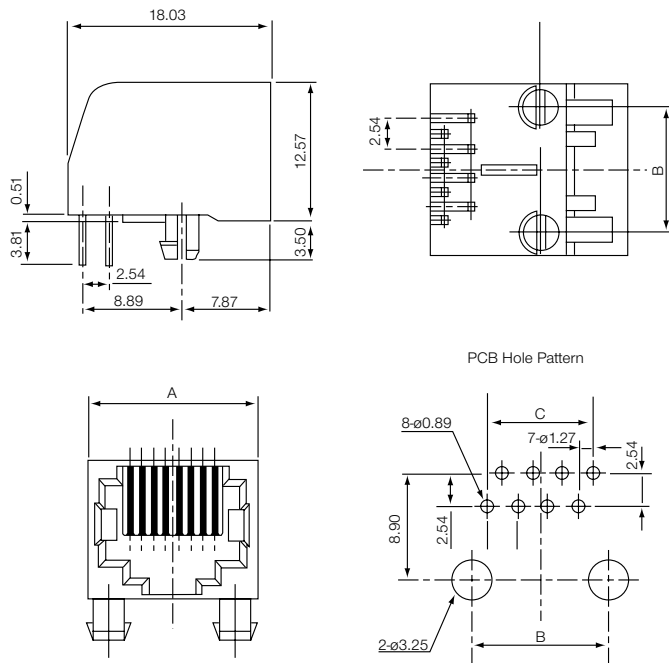
- 4 - 8 way
- Board Solderable
- Competitively priced



## SPECIFICATION

<b>Current Rating</b>	3A
<b>Contact Resistance</b>	30mΩ max at DC 100mA
<b>Dielectric withstanding Voltage</b>	AC 500V for 1 minute
<b>Insulation Resistance</b>	1000mΩ min at DC 500V
<b>Plating</b>	Selective gold plating over Nickel Tin plate on solder foils
<b>Housing</b>	UL94V0 Standard
<b>Colour</b>	Black
<b>Contact</b>	0.35mm Phosphor Bronze
<b>Operating Temperature</b>	-55°C to +105°C

## OUTLINE DRAWING



No of Positions	Dimensions		
	A	B	C
4	11.18	7.62	3.81
6	13.21	10.16	6.35
8	15.24	11.43	8.89

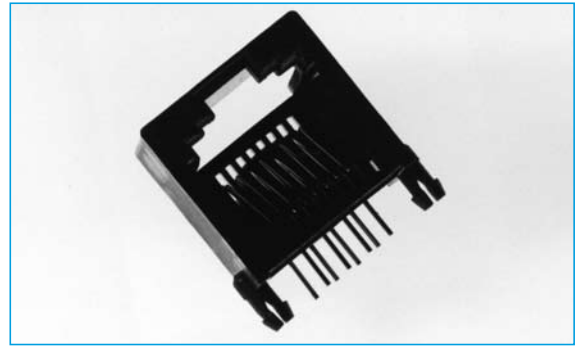
## ORDERING INFORMATION

DBC	RJ	S	88	E
Dubilier Connectors	Series	Contact Type S = Socket	No. of Ways x No. of loaded contacts 4 x 4 6 x 6 8 x 8	Style E = Low Profile Side Entry PCB Jack

## NETWORKING SOCKETS

## MODULAR SOCKETS - LOW PROFILE

- Low profile
- Industry standard footprint
- 4, 6 and 8 way side entry
- UL approved



## SPECIFICATION

### Material

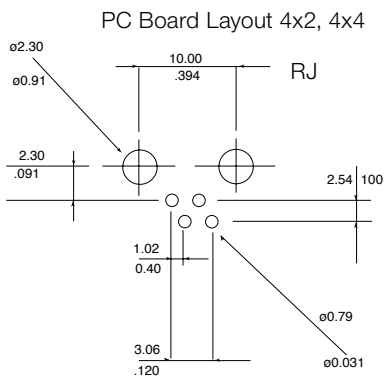
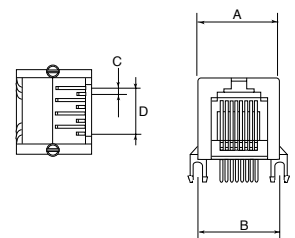
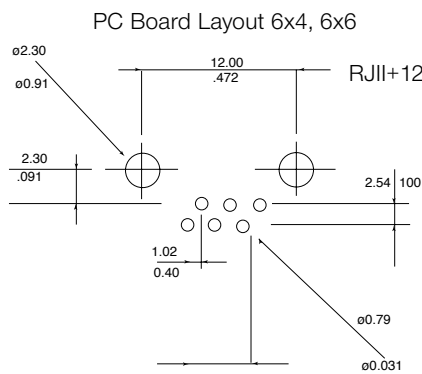
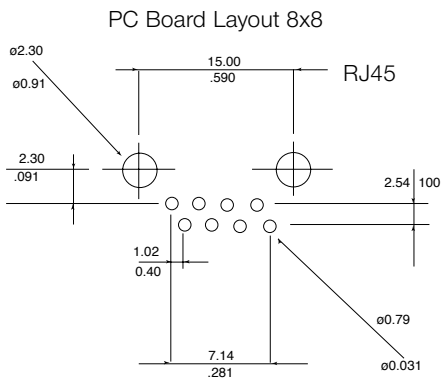
#### Housing:

PBT Polyester, UL94V-O; UL94V-2  
Standard colour grey

#### Contacts:

.0177(.45mm) diameter  
Pros - bronze plated with hard gold  
Cavity conforms to FCC Rules and  
Regulations Part 68, subpart F

## OUTLINE DRAWING



Circuits	Loaded Contacts	Dimensions			
		a	B	C	D
4	2	10.00 (.394)	10.00 (.394)	1.02 (.040)	3.06 (.120)
4	4	10.00 (.394)	10.00 (.394)	1.02 (.040)	3.06 (.120)
6	4	12.20 (.480)	12.00 (.472)	1.02 (.040)	5.10 (.201)
6	6	12.20 (.480)	12.00 (.472)	1.02 (.040)	5.10 (.201)
8	8	15.00 (.590)	15.00 (.590)	1.02 (.040)	7.14 (.281)

## ORDERING INFORMATION

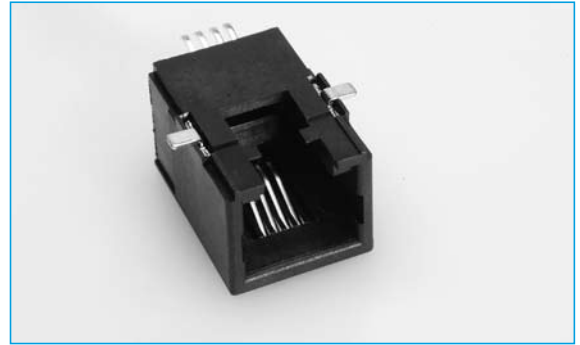
DBC	RJ45	S	88	A
Dubilier Connectors	Series	Contact Type	N° of Ways x N° of Loaded Contacts	Style
	RJ	S=Socket	4x2	A=Low profile
	RJ		4x4	Skt
	RJ11		6x4	
	RJ12		6x6	
	RJ45		8x8	



NETWORKING SOCKETS

- Surface Mount
- Competitively priced

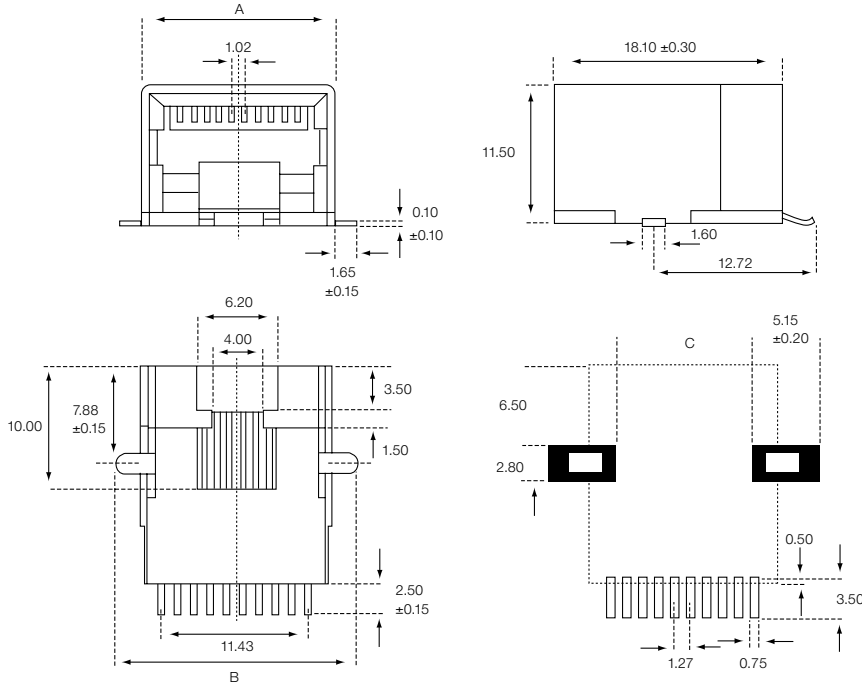
LOW PROFILE SIDE ENTRY - SMT



SPECIFICATION

<b>Current Rating</b>	3A
<b>Contact Resistance</b>	30mΩ max at DC 100mA
<b>Dielectric withstanding Voltage</b>	AC 500V for 1 minute
<b>Insulation Resistance</b>	1000mΩ min at DC 500V
<b>Plating</b>	Selective gold plating over Nickel Tin plate on solder foils
<b>Housing</b>	UL94V0 Standard
<b>Colour</b>	Black
<b>Contact</b>	0.35mm Phosphor Bronze
<b>Operating Temperature</b>	-55°C to +265°C

OUTLINE DRAWING



No of Positions	Dimensions		
	A	B	C
6x4	11.20	14.50	7.00
6x6	12.96	16.30	9.00
8x8	15.00	18.30	11.00

ORDERING INFORMATION

<b>DBC</b>	<b>RJ</b>	<b>S</b>	<b>64</b>	<b>G</b>
Dubilier Connectors	Series	Contact Type S = Socket	No. of Ways x No. of loaded contacts 6 x 4 6 x 6 8 x 8	Style G = Low Profile Side Entry-SMT