

AUDIO

PCB RIGHT ANGLED DC SOCKETS

- Competitively priced
- Industry compatible
- PCB mounting



SPECIFICATION

Contact resistance (DCR 0.1A)

1, Initial, before any testing:

- (1) Between the terminals (NC): 30mΩ
- (2) Plug to sleeve, tip, ring (NO) contact: 50mΩ

2, After life test with mating plug:

- (1) Between the terminals (NC): 60mΩ
- (2) Plug to sleeve, tip, ring (NO) contact: 100mΩ

Insertion Force:

0.3kg - 1.5kg Terminals must withstand a 500g minimum pull for 10 seconds

Extraction Force:

0.3kg - 1.5kg before movement or break from housing occurs

Soldering Heat:

Terminal for PC board temperature: 260± 5 °C for 5-+ 1.0 seconds

Operating Temperature range:

-25 °C to 80 °C

Insulating Resistance:

More than 100MΩ by 500v DC at 90-95% RH, 40 °C

Voltage Test:

Withstand 0.5mA 500v AC between any open terminal for one minute

Lifetime:

Withstand more than 5000 cycle's insertion and withdrawal with testing plug

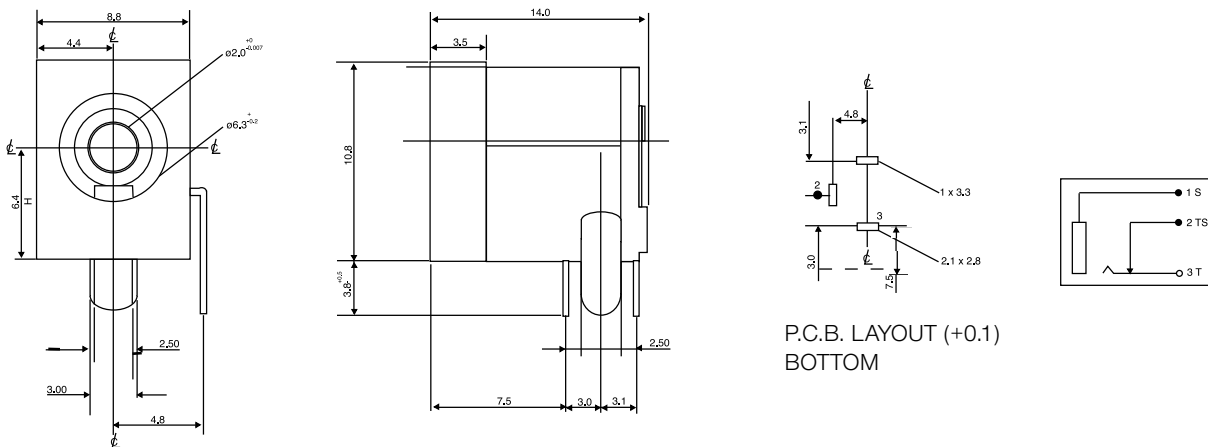
Rated Voltage:

16vdc

Rated Current:

20mA - 0.3A

OUTLINE DRAWING



P.C.B. LAYOUT (+0.1)
BOTTOM

ORDERING INFORMATION

DBC	PJ	0202	1
Dubilier Connectors	DC Jack Socket Connector	Series	1 = 2.5mm Blank = 2mm

AUDIO

PCB STRAIGHT DC SOCKETS

SECTION 6

- Competitively priced
- Industry Compatible
- PCB Mounting



SPECIFICATION

Contact resistance (DCR 0.1A)

1, Initial, before any testing:

- (1) Between the terminals (NC): 30mΩ
- (2) Plug to sleeve, tip, ring (NO) contact: 50mΩ

2, After life test with mating plug:

- (1) Between the terminals (NC): 60mΩ
- (2) Plug to sleeve, tip, ring (NO) contact: 100mΩ

Insertation Force:

0.3kg - 1.5kg Terminals must withstand a 500g minimum pull for 10 seconds

Extraction Force:

0.3kg - 1.5kg before movement or break from housing occurs

Soldering Heat:

Terminal for PC board temperature: 260 ± 5 °C for 5 ± 1.0 seconds

Operating Temperature range:

-25 °C to 80 °C

Insulating Resistance:

More than 100MΩ by 500v DC at 90 - 95% RH, 40 °C

Voltage Test:

Withstand 0.5mA 500v AC between any open terminal for one minute

Lifetime:

Withstand more than 5000 cycle's insertion and withdrawal with testing plug

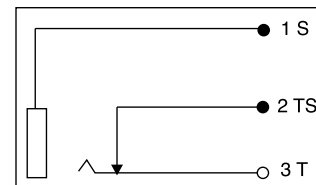
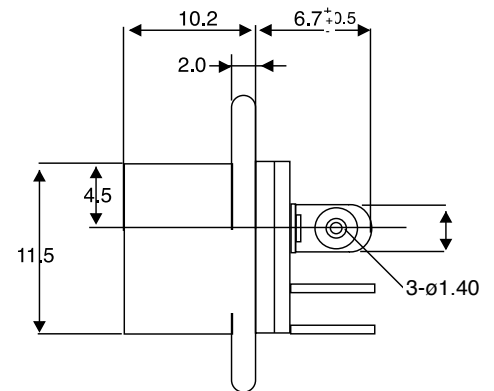
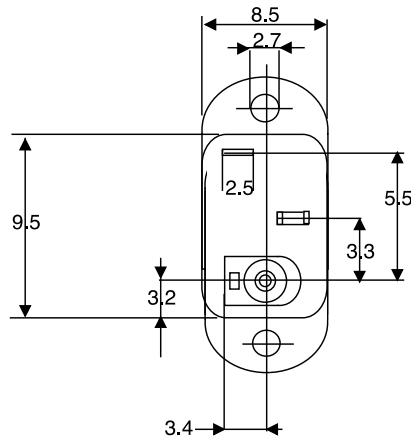
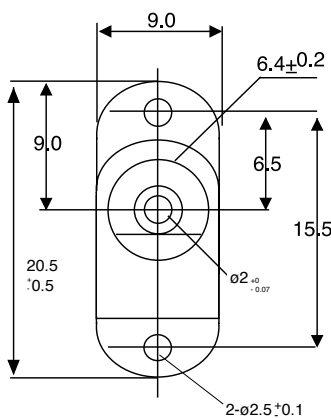
Rated Voltage:

16vdc

Rated Current:

20mA - 0.3A

OUTLINE DRAWING



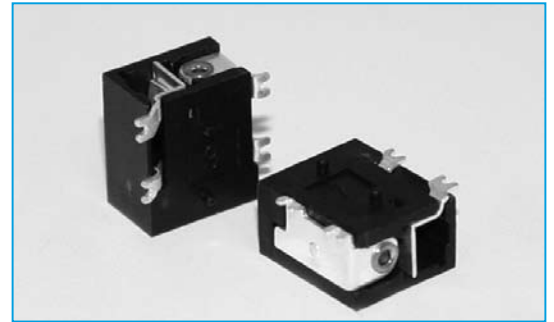
ORDERING INFORMATION

DBC	PJ	0204	1
Dubilier Connectors	DC Jack Socket Connector	Series	1 = 2.5mm Blank = 2mm

AUDIO

- Competitively priced
- Industry compatible
- Surface Mount

SMT DC JACK SOCKET



SPECIFICATION

Contact resistance (DCR 0.1A)

1, Initial, before any testing:

- (1) Between the terminals (NC): 30mΩ
- (2) Plug to sleeve, tip, ring (NO) contact: 50mΩ

2, After life test with mating plug:

- (1) Between the terminals (NC): 60mΩ
- (2) Plug to sleeve, tip, ring (NO) contact: 100mΩ

Insertion Force:

0.3kg - 1.5kg Terminals must withstand a 500g minimum pull for 10 seconds

Extraction Force:

0.3kg - 1.5kg before movement or break from housing occurs

Soldering Heat:

Terminal for PC board temperature: 260± 5 °C for 5-+ 1.0 seconds

Operating Temperature range:

-25 °C to 80 °C

Insulating Resistance:

More than 100MΩ by 500v DC at 90-95% RH, 40 °C

Voltage Test:

Withstand 0.5mA 500v AC between any open terminal for one minute

Lifetime:

Withstand more than 5000 cycle's insertion and withdrawal with testing plug

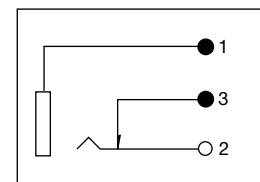
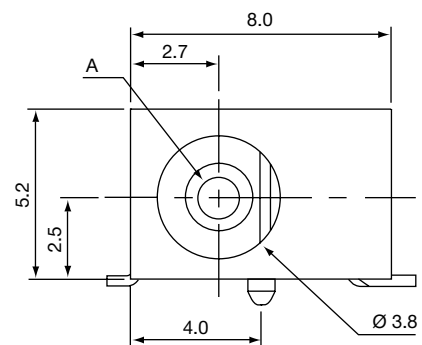
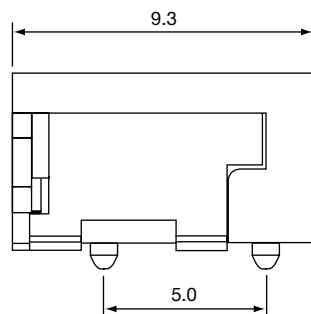
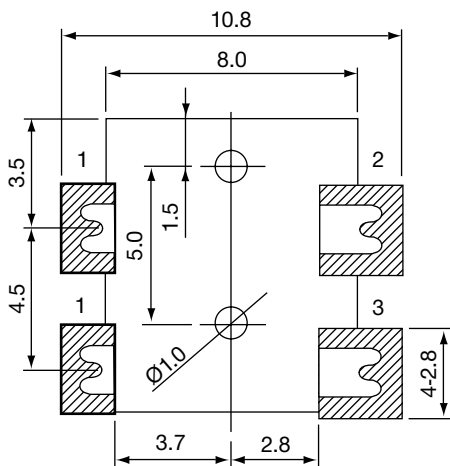
Rated Voltage:

16vdc

Rated Current:

20mA - 0.3A

OUTLINE DRAWING



ORDERING INFORMATION

DBC	PJ	0217T	-1.3
Dubilier Connectors	DC Jack Socket Connector	Series	1.3 = 1.3mm 1.0 = 1.0mm