

IDC

- Industry compatible
- Competitively priced
- Various Plating contacts available
- 1.27 mm pitch
- Long or Short Latch
- 2.54mm row spacing

SHROUDED LATCHED HEADER STRAIGHT 1.27mm



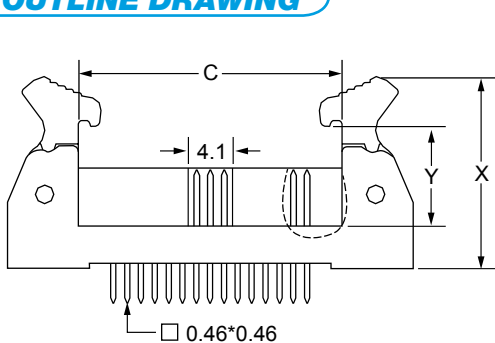
SPECIFICATION

Material & Finish

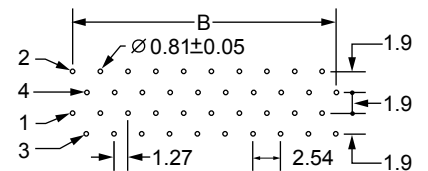
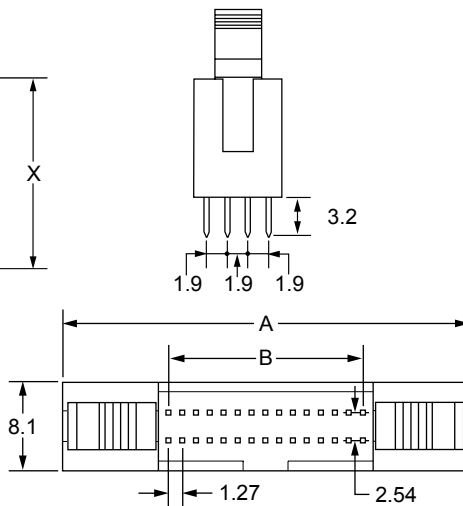
Contact Material:	Phosphor Bronze
Insulator Material:	PBT, Glass Reinforced, rated UL-94V-0
Current Rating:	1 Amp
Contact Resistance:	30M Ω Max.
Insulator Resistance:	1000M Ω Min.
Dielectric Withstanding Voltage:	250V AC for One Minute
Operating Temperature:	-40°C to + 105°C

Position	A	B	C
10	24.50	5.08	11.46
20	30.85	11.43	17.81
26	34.66	15.24	21.62
30	37.20	17.78	24.16
34	39.74	20.32	26.70
40	43.55	24.13	30.51
50	49.90	30.48	36.86
60	56.25	36.83	43.21
68	61.33	41.91	48.29
70	62.60	43.18	49.56
80	68.95	49.53	55.91
90	75.30	55.88	62.26
100	81.65	62.23	68.61

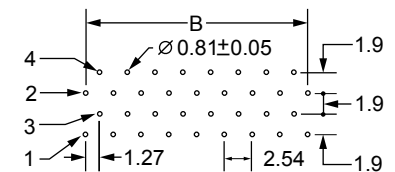
OUTLINE DRAWING



ACCESSORIES	X	Y
Long Latch	19.0	10.65
Short Latch	17.5	8.0



P.C. BOARD LAYOUT FOR 20,40,60,68,80,100



P.C. BOARD LAYOUT FOR 10,26,30,34,50,70,90

ORDERING INFORMATION

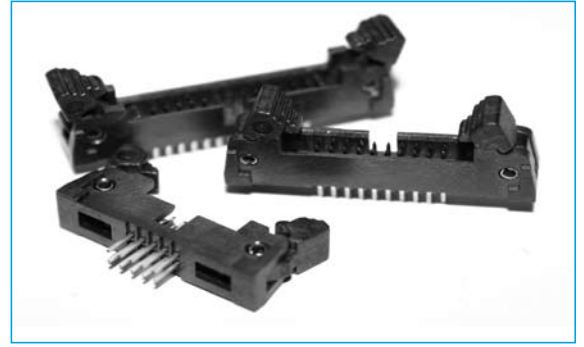
DBC	IDC	C7B	30	B	G	A	1
Dubilier Connectors	IDC Connector	Series	N° of Ways	Contact Material	Contact Plating	Features	Colour
			10=10way 20=20way 26=26way 30=30way 34=34way 40=40way 50=50way	B=Phosphor Bronze	G= Gold Flash S=Selective *=Other Plating available	A=Long Latch b=Short Latch	1=Black
			60=60way 68=68way 70=70way 80=80way 90=90way 100=100way				



IDC

SHROUDED LATCHED HEADER 1.27mm

- Industry compatible
- Competitively priced
- Various Plating contacts available
- 1.27mm pitch
- Long or short latch



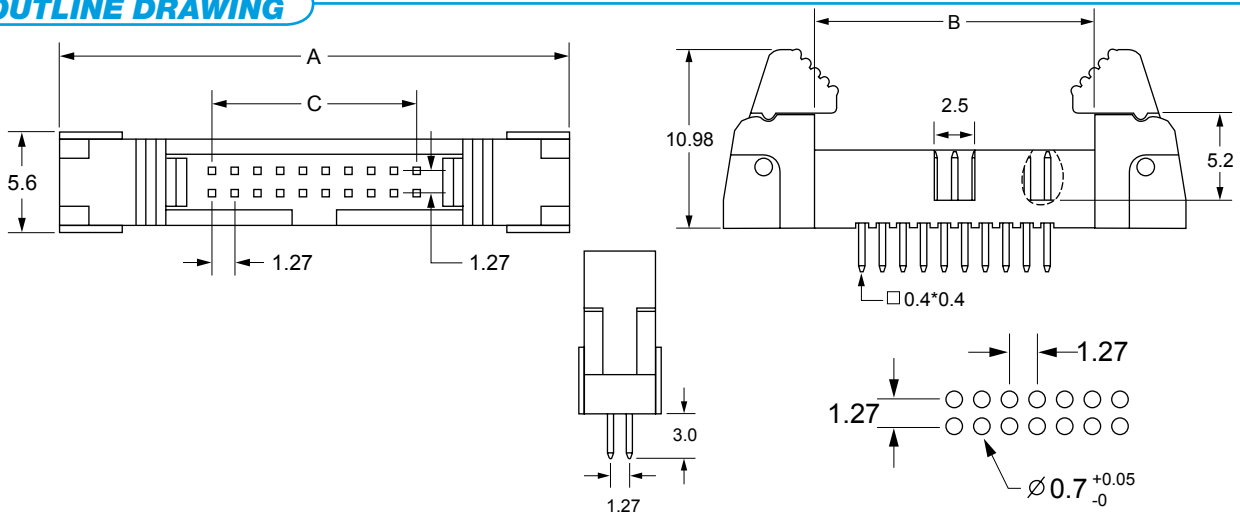
SPECIFICATION

Material & Finish

- Contact Material:** Phosphor Bronze
- Insulator Material:** Nylon 6T, glass reinforced, rated UL 94V-0
- Current Rating:** 1 Amp
- Contact Resistance:** 30M Ω Max.
- Insulator Resistance:** 1000M Ω Min.
- Dielectric Withstanding Voltage:** 250V AC for One Minute
- Operating Temperature:** -40°C to + 105°C

Position	A	B	C
10	22.12	10.86	5.08
12	23.39	12.13	6.35
14	24.66	13.40	7.62
16	25.93	14.67	8.89
20	28.47	17.21	11.43
22	29.74	18.48	12.70
26	32.28	21.02	15.24
30	34.82	23.56	17.78
34	37.36	26.10	20.32
40	41.17	29.91	24.13
44	43.71	32.45	26.67
50	47.52	36.26	30.48

OUTLINE DRAWING



SECTION 15

ORDERING INFORMATION

DBC	IDC	C42A	26	B	G	1
Dubilier Connectors	IDC Connector	Series	N° of Ways	Contact Material	Contact Plating	Colour
			10=10way 12=12way 14=14way 20=20way 22=22way	B=Phosphor Bronze	G= Gold Flash S=Selective *=Other Plating available	1=Black
			26=26way 30=30way 34=34way 40=40way 44=44way 50=50way			



IDC

- Industry compatible
- Competitively priced
- Various Plating contacts available
- 1.27mm pitch
- Long or Short latch

SHROUDED LATCHED HEADER RIGHT ANGLED 1.27mm



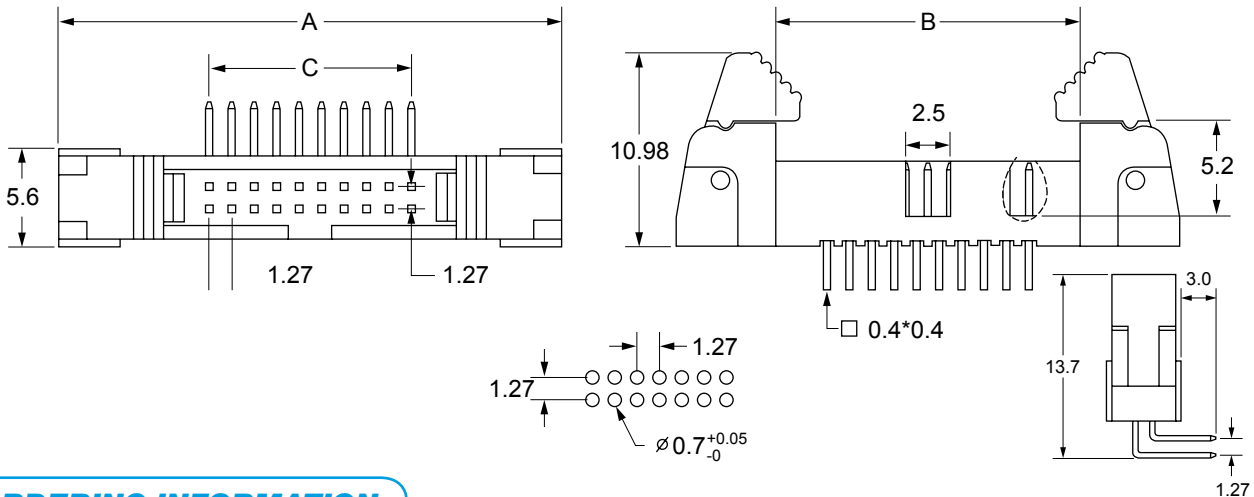
SPECIFICATION

Material & Finish

- Contact Material:** Phosphor Bronze
- Insulator Material:** Nylon 6T, glass reinforced, rated UL 94V-0
- Current Rating:** 1 Amp
- Contact Resistance:** 30M Ω Max.
- Insulator Resistance:** 1000M Ω Min.
- Dielectric Withstanding Voltage:** 250V AC for One Minute
- Operating Temperature:** -40°C to + 105°C

Position	A	B	C
10	22.12	10.86	5.08
12	23.39	12.13	6.35
14	24.66	13.40	7.62
16	25.93	14.67	8.89
20	28.47	17.21	11.43
22	29.74	18.48	12.70
26	32.28	21.02	15.24
30	34.82	23.56	17.78
34	37.36	26.10	20.32
40	41.17	29.91	24.13
44	43.71	32.45	26.67
50	47.52	36.26	30.48

OUTLINE DRAWING



SECTION 15

ORDERING INFORMATION

DBC	IDC	C43A	26	B	G	1
Dubilier Connectors	IDC Connector	Series	N° of Ways	Contact Material	Contact Plating	Colour
			10=10way 12=12way 14=14way 16=16way 20=20way 22=22way	B=Phosphor Bronze	G= Gold Flash S=Selective *=Other Plating available	1=Black
			26=26way 30=30way 34=34way 40=40way 44=44way 50=50way			



IDC

- Industry compatible
- Competitively priced
- Various Plating contacts available
- 1.27mm pitch
- Long or Short latch

SHROUDED LATCHED HEADER SMT 1.27mm



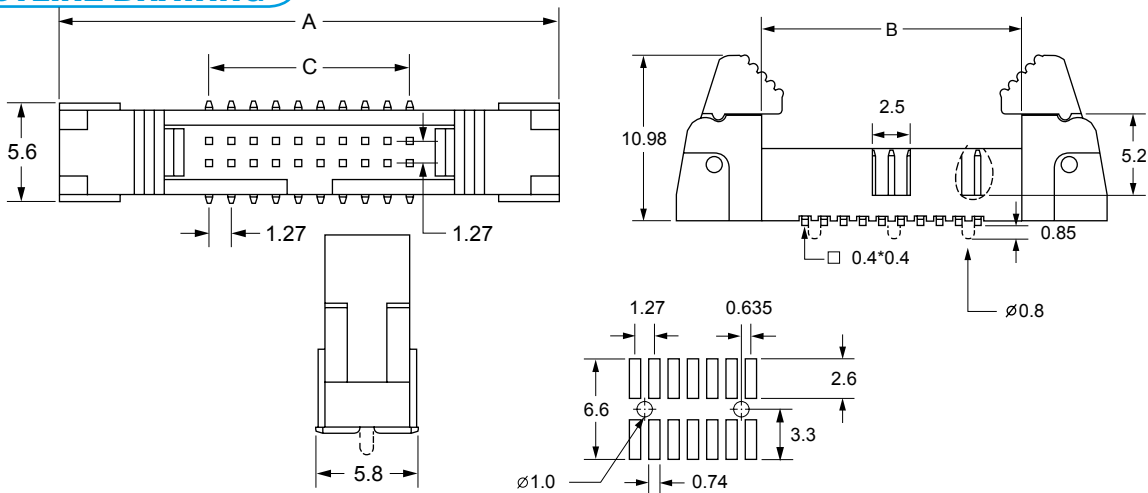
SPECIFICATION

Material & Finish

- Contact Material:** Phosphor Bronze
- Insulator Material:** Nylon 6T, glass reinforced, rated UL 94V-0
- Current Rating:** 1 Amp
- Contact Resistance:** 30M Ω Max.
- Insulator Resistance:** 1000M Ω Min.
- Dielectric Withstanding**
- Voltage:** 250V AC for One Minute
- Operating Temperature:** -40°C to + 105°C

Position	A	B	C
10	22.12	10.86	5.08
12	23.39	12.13	6.35
14	24.66	13.40	7.62
16	25.93	14.67	8.89
20	28.47	17.21	11.43
22	29.74	18.48	12.70
26	32.28	21.02	15.24
30	34.82	23.56	17.78
34	37.36	26.10	20.32
40	41.17	29.91	24.13
44	43.71	32.45	26.67
50	47.52	36.26	30.48

OUTLINE DRAWING



SECTION 15

ORDERING INFORMATION

DBC	IDC	C44A	26	B	G	1
Dubilier Connectors	IDC Connector	Series	N° of Ways	Contact Material	Contact Plating	Colour
			10=10way 12=12way 14=14way 16=16way 20=20way 22=22way	B=Phosphor Bronze	G= Gold Flash S=Selective *=Other Plating available	1=Black
			26=26way 30=30way 34=34way 40=40way 44=44way 50=50way			