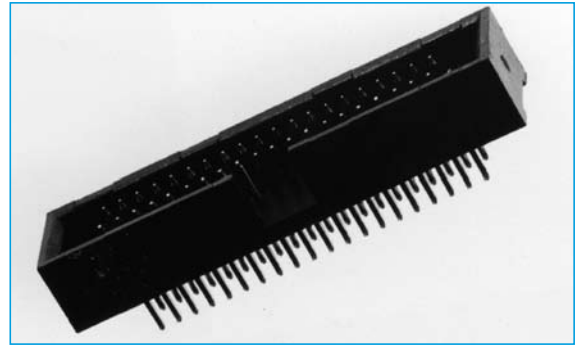


**IDC**

- Industry compatible
- Competitively priced
- Gold plated contacts
- 1.27mm pitch
- 2.54mm row spacing

**BOX HEADER STRAIGHT**



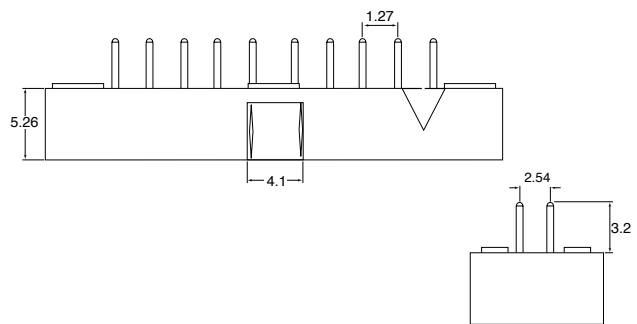
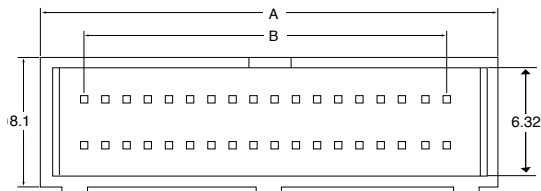
**SPECIFICATION**

**Material & Finish**

- Contact Material:** Brass
- Insulator Material:** PBT & Glass-Fibre Reinforced UL-94V-0
- Current Rating:** 1 A DC
- Contact Resistance:** 30M  $\Omega$  Max
- Insulator Resistance:** 1000M  $\Omega$  Min
- Dielectric Withstanding Voltage:** 250V AC for One Minute
- Operating Temperature:** -40°C to + 105°C

Position	A	B
10	13.95	5.08
20	20.30	11.43
30	26.65	17.78
40	33.00	24.13
50	39.35	30.48
60	45.70	36.83
70	52.05	43.18
80	58.40	49.53
90	64.75	55.88
100	71.50	62.33

**OUTLINE DRAWING**



**ORDERING INFORMATION**

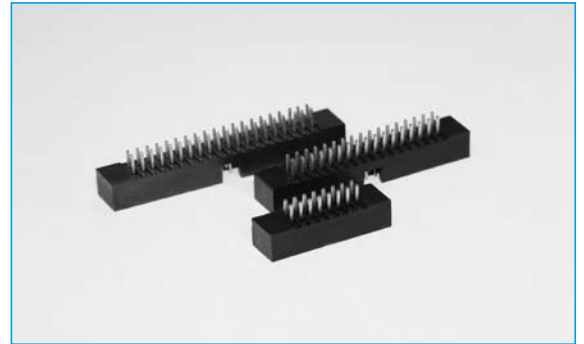
DBC	IDC	C7	10	B	S	1
Dubilier Connectors	IDC Connector	Series	N° of Ways	Contact Material	Contact Plating	Colour
			10=10way	B=Brass	S=Selective Gold	1=Black
			20=20way			
			30=30way			
			40=40way			
			50=50way			
			60=60way			
			70=70way			
			80=80way			
			90=90way			
			100=100way			



IDC

BOX HEADER STRAIGHT 1.27mm

- Industry compatible
- Competitively priced
- Various Plating contacts available
- 1.27 mm pitch



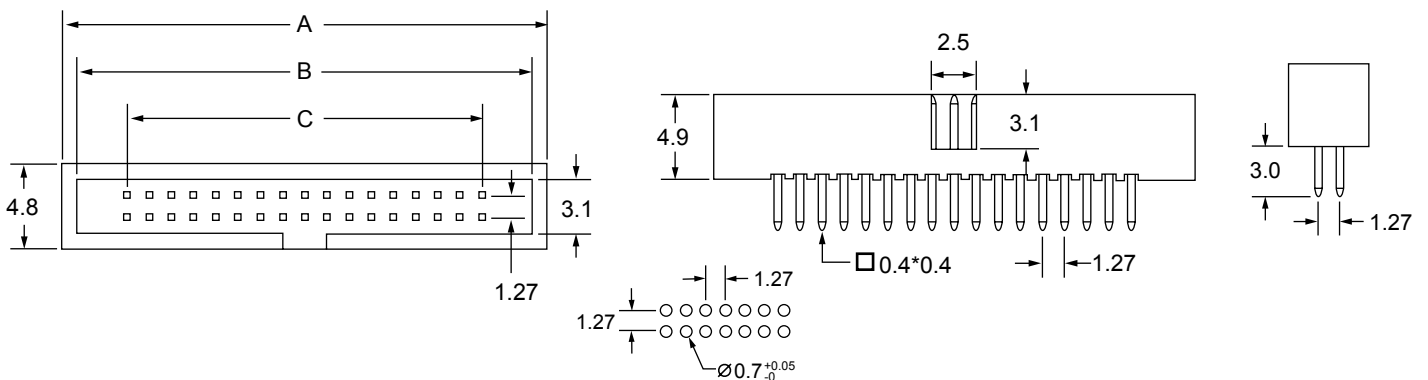
SPECIFICATION

Material & Finish

- Contact Material:** Phosphor Bronze
- Insulator Material:** Nylon 6T, Glass Reinforced, rated UL 94V-0
- Current Rating:** 1 Amp
- Contact Resistance:** 30M Ω Max.
- Insulator Resistance:** 1000M Ω Min.
- Dielectric Withstanding Voltage:** 250V AC for One Minute
- Operating Temperature:** -40°C to + 105°C

Position	A	B	C
10	12.51	10.84	5.08
12	13.78	12.12	6.35
14	15.05	13.39	7.62
16	16.32	14.66	8.89
20	18.86	17.20	11.43
22	20.13	18.47	12.70
26	22.67	21.01	15.24
30	25.21	23.55	17.78
34	27.25	26.09	20.32
40	31.56	29.90	24.13
44	34.10	32.44	26.67
50	37.91	36.25	30.48

OUTLINE DRAWING



SECTION 15

RECOMMENDED P.C.B. LAYOUT

ORDERING INFORMATION

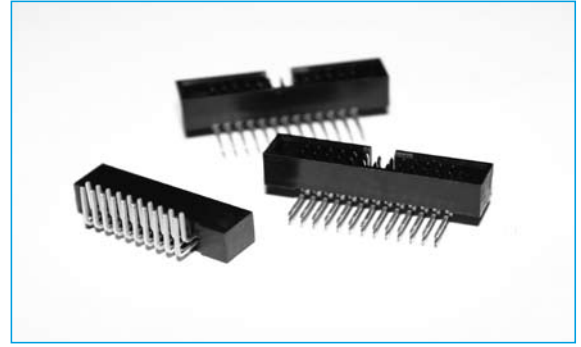
DBC	IDC	C42	26	B	G	1
Dubilier Connectors	IDC Connector	Series	N° of Ways	Contact Material	Contact Plating	Colour
			10=10way 12=12way 14=14way 16=16way 20=20way 22=22way	B=Phosphor Bronze	G= Gold Flash S=Selective *=Other Plating available	1=Black
			26=26way 30=30way 34=34way 40=40way 44=44way 50=50way			



**IDC**

- Industry compatible
- Competitively priced
- Various Plating contacts available
- 1.27mm pitch

**BOX HEADER RIGHT ANGLE 1.27mm**



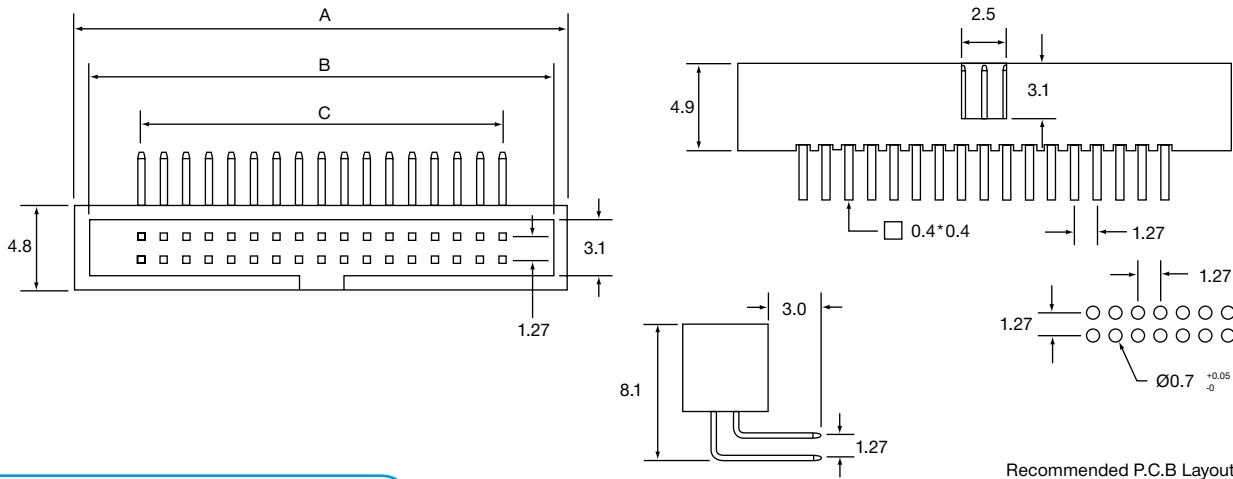
**SPECIFICATION**

**Material & Finish**

- Contact Material:** Phosphor Bronze
- Insulator Material:** Nylon 6T, glass reinforced, rated UL 94V-0
- Current Rating:** 1 Amp
- Contact Resistance:** 30M  $\Omega$  Max.
- Insulator Resistance:** 1000M  $\Omega$  Min.
- Dielectric Withstanding Voltage:** 250V AC for One Minute
- Operating Temperature:** -40°C to + 105°C

Position	A	B	C
10	12.51	10.84	5.08
12	13.78	12.12	6.35
14	15.05	13.39	7.62
16	16.32	14.66	8.89
20	18.86	17.20	11.43
22	20.13	18.47	12.70
26	22.67	21.01	15.24
30	25.21	23.55	17.78
34	27.75	26.09	20.32
40	31.56	29.90	24.13
44	34.10	32.44	26.67
50	37.91	36.25	30.48

**OUTLINE DRAWING**



Recommended P.C.B Layout

**ORDERING INFORMATION**

DBC	IDC	C43	26	B	G	1
Dubilier Connectors	IDC Connector	Series	N° of Ways	Contact Material	Contact Plating	Colour
			10=10way 12=12way 14=14way 20=20way 22=22way	B=Phosphor Bronze	G= Gold Flash S=Selective *=Other Plating available	1=Black
			26=26way 30=30way 34=34way 40=40way 44=44way 50=50way			

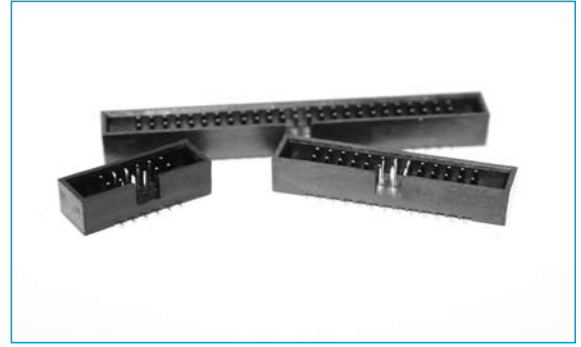
SECTION 15



**IDC**

**BOX HEADER SMT 1.27mm**

- Industry compatible
- Competitively priced
- Various Plating contacts available
- 1.27mm pitch



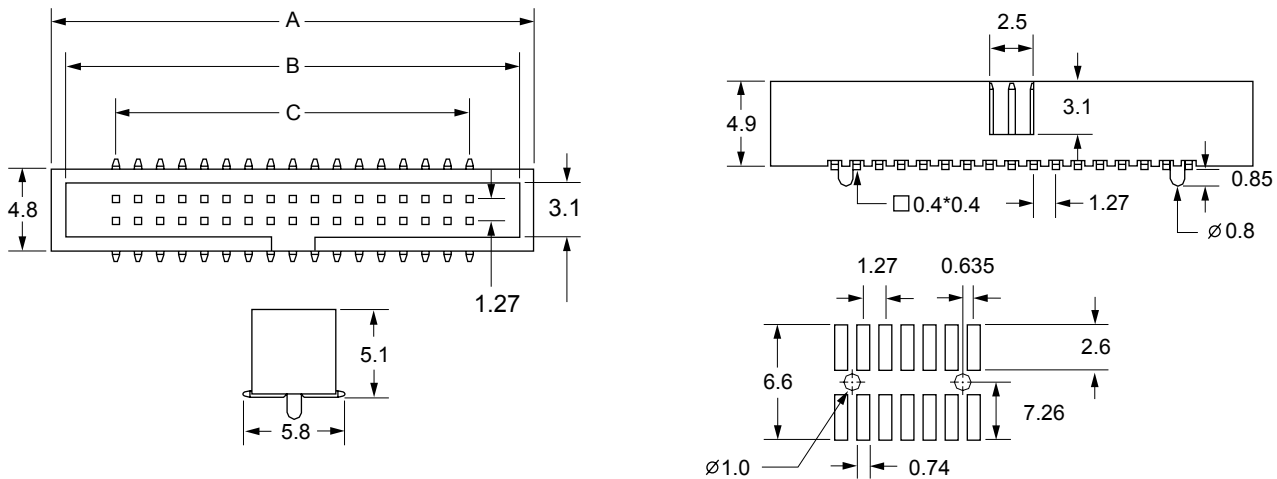
**SPECIFICATION**

**Material & Finish**

- Contact Material:** Phosphor Bronze
- Insulator Material:** Nylon 6T, glass reinforced, rated UL 94V-0
- Current Rating:** 1 Amp
- Contact Resistance:** 30M  $\Omega$  Max.
- Insulator Resistance:** 1000M  $\Omega$  Min.
- Dielectric Withstanding Voltage:** 250V AC for One Minute
- Operating Temperature:** -40°C to + 105°C

Position	A	B	C
10	12.51	10.85	5.08
12	13.78	12.12	6.35
14	15.05	13.39	7.62
16	16.32	14.66	8.89
20	18.86	17.20	11.43
22	20.13	18.47	12.70
26	22.67	21.01	15.24
30	25.21	23.55	17.78
34	27.75	26.09	20.32
40	31.56	29.90	24.13
44	34.10	32.44	26.67
50	37.91	36.25	30.48

**OUTLINE DRAWING**



SECTION 15

**ORDERING INFORMATION**

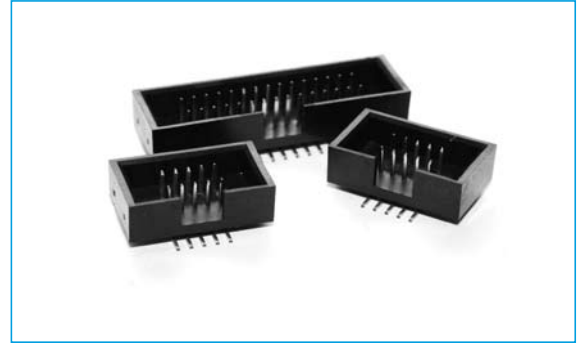
DBC	IDC	C44	26	B	G	1
Dubilier Connectors	IDC Connector	Series	N° of Ways	Contact Material	Contact Plating	Colour
			10=10way 12=12way 14=14way 20=20way 22=22way	B=Phosphor Bronze	G= Gold Flash S=Selective *=Other Plating available	1=Black
			26=26way 30=30way 34=34way 40=40way 44=44way 50=50way			



## IDC

## BOX HEADER SMT 1.27mm

- Industry compatible
- Competitively priced
- Various Plating contacts available
- 1.27mm pitch
- 2.54mm row spacing



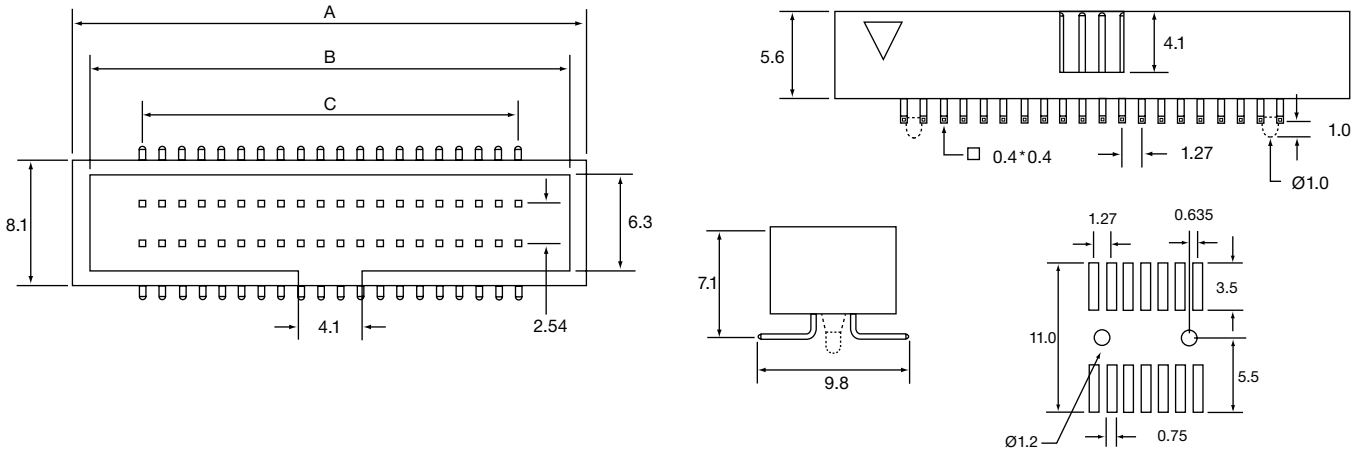
## SPECIFICATION

### Material & Finish

<b>Contact Material:</b>	Phosphor Bronze
<b>Insulator Material:</b>	Nylon 6T, glass reinforced, rated UL 94V-0
<b>Current Rating:</b>	1 Amp
<b>Contact Resistance:</b>	30M $\Omega$ Max.
<b>Insulator Resistance:</b>	1000M $\Omega$ Min.
<b>Dielectric Withstanding Voltage:</b>	250V AC for One Minute
<b>Operating Temperature:</b>	-40°C to + 105°C

Position	A	B	C
10	13.95	11.75	5.08
14	16.49	14.29	7.62
16	17.76	15.36	8.89
20	20.30	17.90	11.43
26	24.11	21.71	15.24
30	26.65	24.25	17.78
34	29.19	26.79	20.32
40	33.00	30.60	24.13
50	39.35	36.95	30.48
60	45.70	43.30	36.83
68	50.78	48.38	41.91
70	52.05	49.65	43.18
80	58.40	56.00	49.53
90	64.75	62.35	55.88
100	71.10	68.70	62.33

## OUTLINE DRAWING



Recommended P.C.B Layout

## ORDERING INFORMATION

DBC	IDC	C7S	30	B	G	A	1
Dubilier Connectors	IDC Connector	Series	N° of Ways	Contact Material	Contact Plating	Features	Colour
			10=10way 14=14way 16=16way 20=20way 26=26way 30=30way 34=34way	B=Phosphor Bronze	G= Gold Flash S=Selective *=Other Plating available	A=With Locking Peg B=Without Locking Peg	1=Black
			40=40way 50=50way 60=60way 68=68way 70=70way 80=80way 90=90way 100=100way				

SECTION 15