

FUSEHOLDERS

- Low profile panel mounting
- Screw driver release DBCFH9
- Screw driver release bayonet carrier DBCFH10, DBCFH11
- Combined solder / 2.8mm quick connect terminal DBCFH9, DBCFH10
- Combined solder / 4.8mm quickconnect terminal on DBCFH11
- Anti-rotation D fixing

PANEL MOUNTING 5x20mm



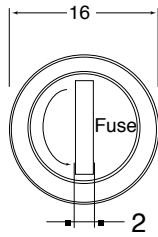
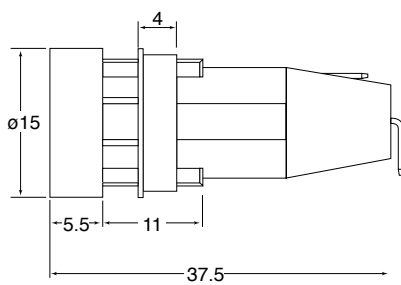
SPECIFICATION

Rating: 6.3A / 250V
Contacts/Resistance: Tinned Nickel plated Brass/<5mΩ
Material: UL94-V0 flame retardant polycarbonate
Insulation Resistance: >10²MΩ

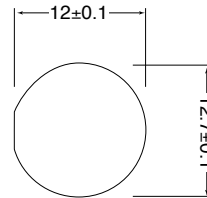
Power dissipation: 2.5W
Approvals: SEMKO, UL, CSA, VDE

OUTLINE DRAWING

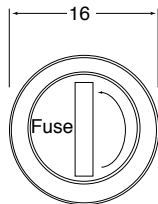
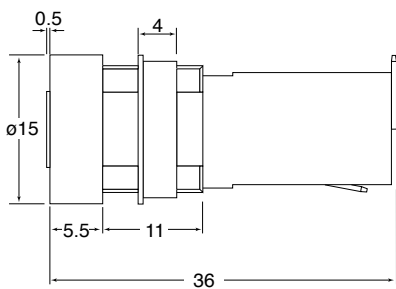
ORDERING INFORMATION



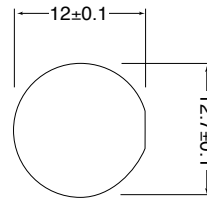
DBC FH 9



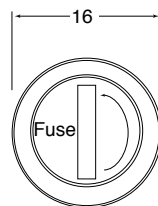
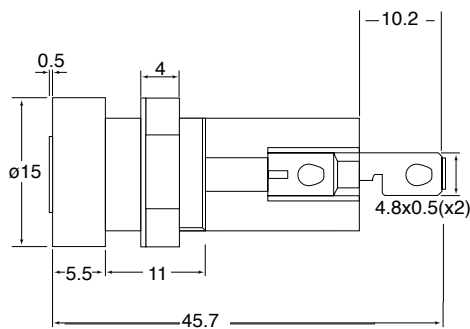
DBC	FH	9
Dubilier Connectors	Series	Style
	Fuse Holder	9



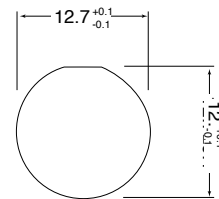
DBC FH 10



DBC	FH	10
Dubilier Connectors	Series	Style
	Fuse Holder	10



DBC FH 11



DBC	FH	11
Dubilier Connectors	Series	Style
	Fuse Holder	11

SECTION 13

FUSEHOLDER

PANEL MOUNTING FUSEHOLDERS

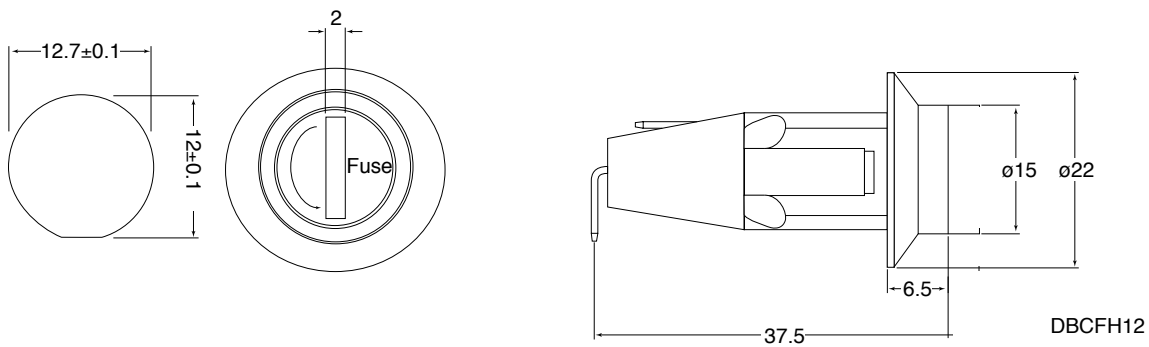
- Snap fit panel mounting
- Screw driver release fuse carrier
- Combined solder / 2.8mm quick connect terminals
- Anti-rotation fixing D fixing



SPECIFICATION

Rating:	6.3A / 250V
Contacts/Resistance:	Tinned Nickel plated Brass/<math><5m\Omega</math>
Insulation Resistance:	>10 ² M Ω
Mouldings:	UL94- V0 flame retardant polyamide
Power dissipation:	2.5W
Approvals:	SEMKO, UL, CSA, CE

OUTLINE DRAWING



SECTION 13

ORDERING INFORMATION

DBC	FH	12
Dubilier Connectors	Series Fuse Holder	Style 12

FUSEHOLDER

INLINE FUSEHOLDERS

- Finger release screw carrier
- Anti - rotation key fixing
- Combined solder /2.8mm quick connect terminals

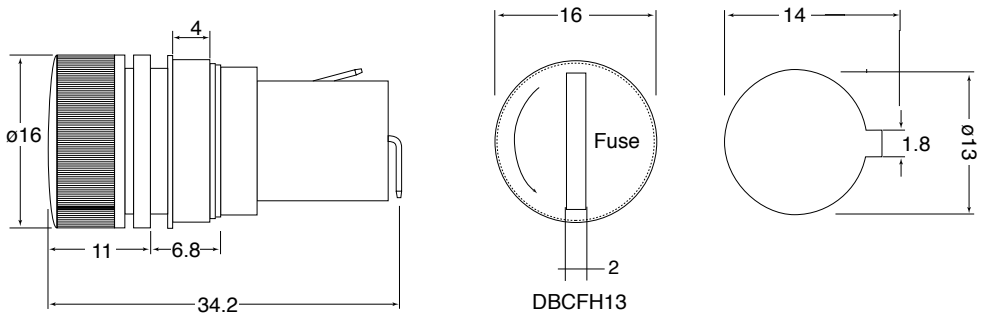


SPECIFICATION

Rating: 6.3A / 250V
Contacts/Resistance: Tinned Nickel plated Brass/<5mΩ
Material: UL94-V0 flame retardant polycarbonate
Insulation Resistance: >10²MΩ
Power dissipation: 2.5W
Approvals: CE, SEMKO, UL

OUTLINE DRAWING

SECTION 13



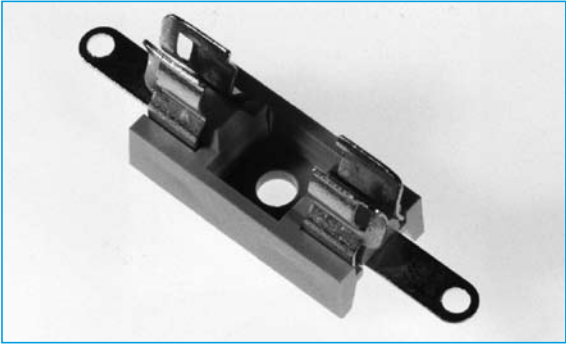
ORDERING INFORMATION

DBC	FH	13
Dubilier Connectors	Series Fuse Holder	Style 13

FUSEHOLDERS

PANEL MOUNTING FUSEHOLDERS

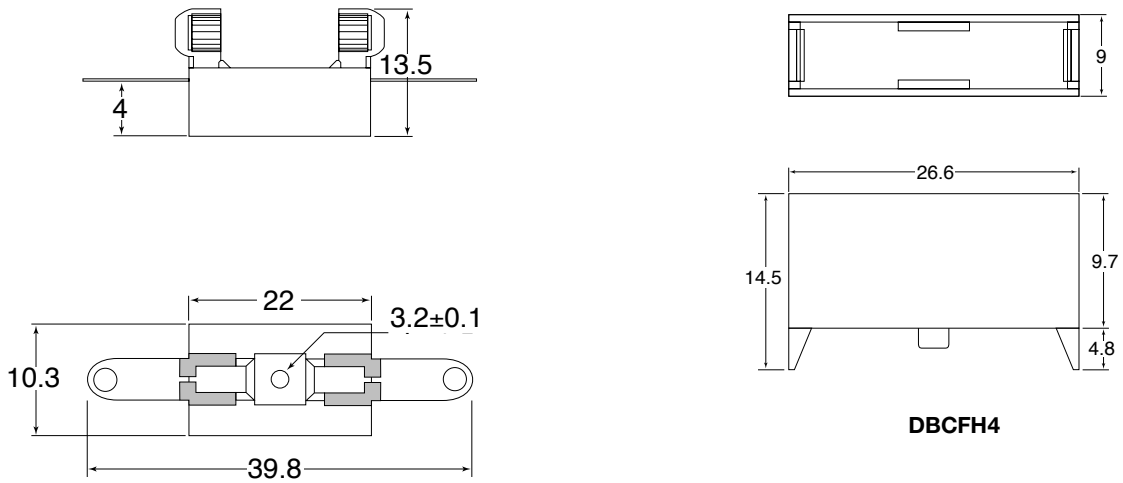
- 4mm Insulation from chassis
- Centre hole fixing
- Solder terminals
- Open terminals
- Open contacts type
- Transparent insulation cover - DBCFH4 (Order separately)



SPECIFICATION

Rating: 10A/250V
Contacts/Resistance: Tinned Nickel plated Brass/<5mΩ
Material: UL94-V1 flame retardant PPOM
Insulation Resistance: >10²MΩ
Power dissipation: 1.6W
Approvals: CE

OUTLINE DRAWING



DBC FH4

ORDERING INFORMATION

DBC	FH	14
Dubilier Connectors	Series Fuse Holders	Style 14
	Fuse Holder Cover	4

SECTION 13