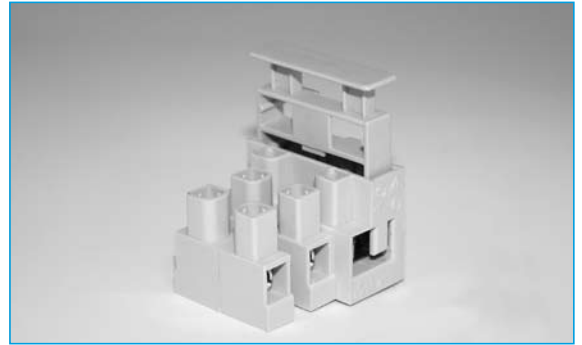


FUSEHOLDER

- 1 - 5 Pole terminal strip with 5x20mm fuse holder to IEC257
- Anti - rotation spigot
- IP20 finger protection
- Cable entry 4mm² (2.5mm² with wire protector)
- Wire protector on fuse pole as standard
- Standard 3 to 5 pole with earth screw, without wire protection
- Meets creepage and clearance requirements of IEC

FUSED TERMINAL BLOCK



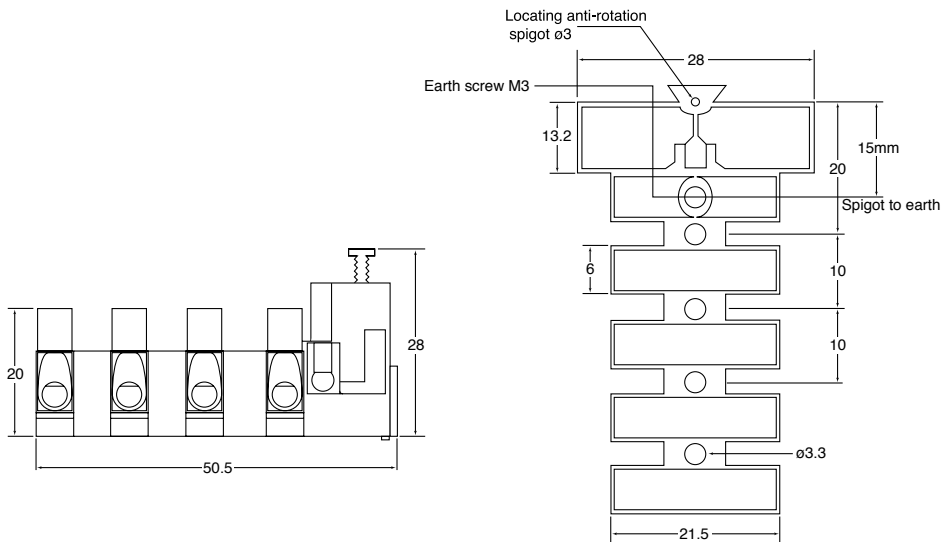
SPECIFICATION

Voltage rating: fuse holder 250VAC, terminal 450VAC
Current rating: fuse holder 13A, terminal 13A
Working

Temperature: 125°C (short period: 170°C)
Moulding: UL94-V0 flame retardant polyamide 66
Terminal: Brass Nickel plated

Fuse clip: Phosphor bronze
Fuse holder: 5 x 20mm
Screws: M3 7 microns zinc, colour passivated and tropicalised
Approvals: IMQ, Semko, Fimko UL, VDE, CSA

OUTLINE DRAWING



SECTION 13

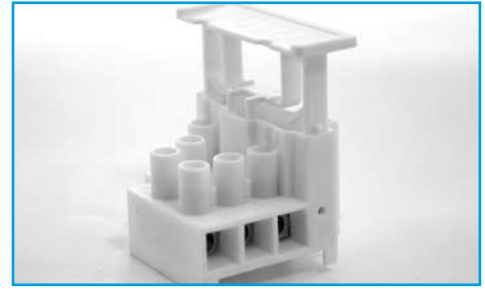
ORDERING INFORMATION

DBC	FH	1	/3
Dubilier Connectors	Series Fuse Holder	Style 1	N° of Ways 3=3way 4=4way 5=5way

FUSEHOLDER

- Accepts 5x20 & 6.3x25mm fuses
- IEC257 approved
- IP20 finger protection
- Cable entry 10mm²
- Supplied with warth screw & washer
- UL/ CSA approved
- Anti rotation spigot

FUSED TERMINAL BLOCK

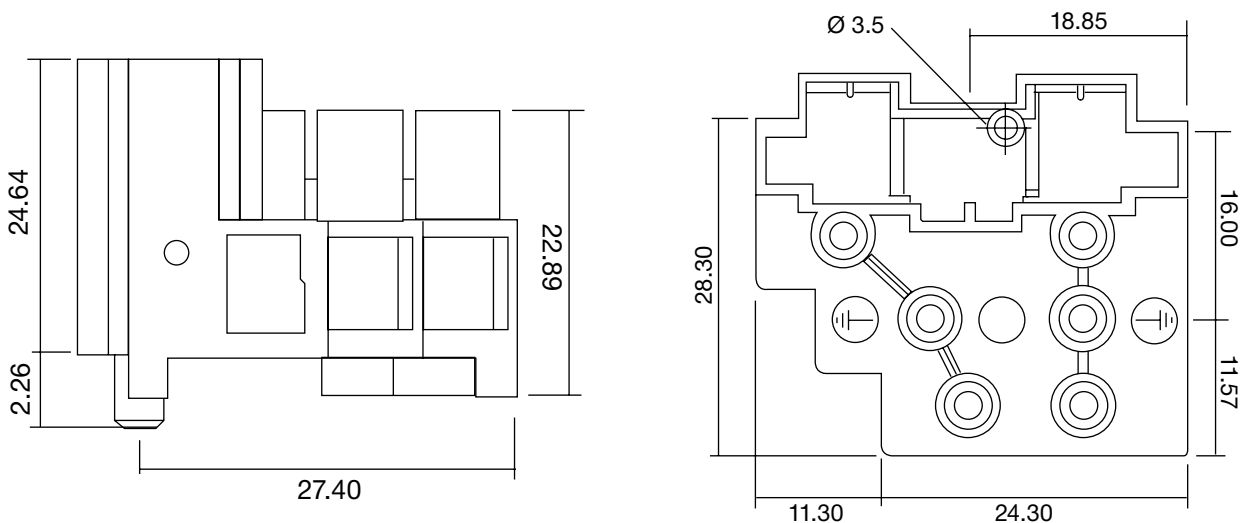


SPECIFICATION

Rating:	Fuse holder 250Vac, terminal 450Vac
Current rating:	Fuse holder 13Amp, terminal 20Amp
Working temperature:	-20°C to 125°C
Moulding:	UL94V-0 flame retardant PA66
Terminal:	Brass, nickel plated
Fuse clip:	Phosphor bronze
Screws:	M3.5 steel, 6 μ zinc colour passivated and tropicalised
Approvals:	CE
Terminal marking:	L=live/ (earth sign)=Earth/N=neutral

OUTLINE DRAWING

SECTION 13



ORDERING INFORMATION

DBC	FH	1A	/2
Dubilier Connectors	Series Fuseholder	Style	N° of Ways 2 = 2 ways 3 = 3 ways

* Other Number of ways are available up to 12
Please consult office for further details